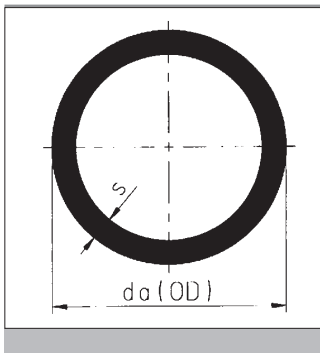


DRUKBUIS
TUYAU DE PRESSION
PRESSURE PIPE

ZWART
NOIR
BLACK

L = 5 m

da	s	KG/ST/PC	€/M
32	2.4	0.42	105.81
40	2.4	0.54	132.28
50	3.0	0.83	204.41
63	3.0	1.06	262.12
90	3.0	1.58	379.98
110	3.0	1.94	466.53
160	3.0	2.85	687.81
200	3.0	3.58	860.92
250	3.0	4.49	1077.38
315	4.0	7.47	1796.52
400	5.0	11.80	2837.88



DRUKBUIS - HV LINER MET OPPERVLAKTEBEHANDELING - ZWART
TUYAU DE PRESSION - HV LINER AVEC TRAITEMENT SUR LA SURFACE - NOIR
PRESSURE PIPE - HV LINER WITH SURFACE TREATED - BLACK

L = 5 m

da	s	KG/ST/PC	€/M
32	2.4	0.46	133.65
40	2.4	0.57	165.63
50	3.0	0.89	258.64
63	3.0	1.11	322.53
90	3.0	1.65	479.46
110	3.0	2.03	589.88
160	3.0	2.98	865.93
200	3.0	3.73	1083.89
250	3.0	4.68	1359.94
315	4.0	7.65	2222.94
400	5.0	12.00	3487.02