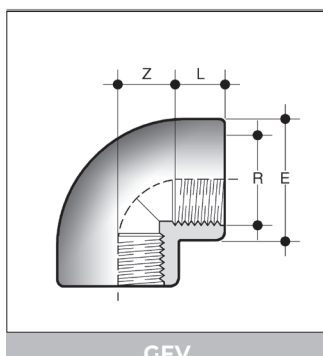




draadfittingen
raccords filetés
threaded fittings

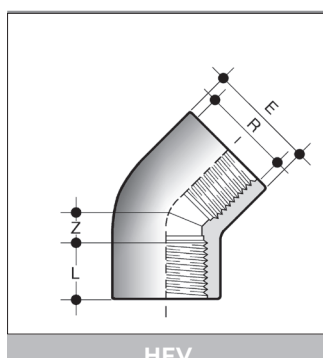
PVC



KNIEEN 90°
COUDES 90°
ELBOWS 90°

Beide zijden cilindrische binnendraad.
Deux côtés femelles à filetage cylindrique.
Both ends with interior parallel threads.

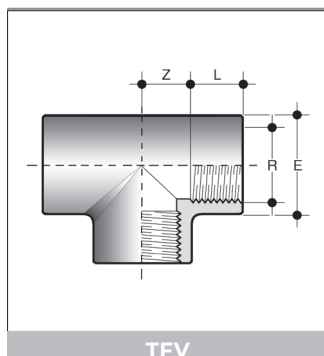
R	L	Z	E	€/ST/PC
3/8"	11.4	13	23.5	2.09
1/2"	15.0	13	28.5	2.25
3/4"	16.3	17	35.0	2.74
1"	19.1	21	43.0	3.26
1 1/4"	21.4	27	50.0	5.43
1 1/2"	21.4	36	61.0	7.99
2"	25.7	46	76.0	11.62
2 1/2"	30.2	55	90.0	29.20
3"	33.3	66	108.0	42.96
4"	39.3	80	131.0	67.95



KNIEEN 45°
COUDES 45°
ELBOWS 45°

Alle zijden cilindrische binnendraad.
Deux côtés femelles à filetage cylindrique.
All ends with interior parallel threads.

R	L	Z	E	€/ST/PC
1/2"	15.0	6.5	28	5.37
3/4"	16.3	8.0	33	5.48
1"	19.1	10.4	41	7.12
1 1/4"	21.4	15.0	50	9.34
1 1/2"	21.4	21.0	64	13.40
2"	25.7	26.0	76	19.41
2 1/2"	31.0	31.0	90	44.78
3"	33.3	39.0	107	60.94



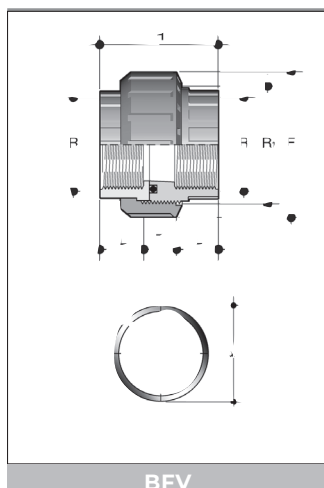
T-STUKKEN 90°

TES A 90°

TEES 90°

Alle zijden cilindrische binnendraad.
 Trois côtés femelles à filetage cylindrique.
 All ends with interior parallel threads.

R	L	Z	E	€/ST/PC
3/8"	11.4	13.0	23.5	2.45
1/2"	15.0	13.0	28.5	2.62
3/4"	16.3	17.0	35.0	3.39
1"	19.1	21.5	43.0	4.30
1 1/4"	21.4	27.0	50.0	6.07
1 1/2"	21.4	37.0	61.0	9.53
2"	25.7	46.0	76.0	17.79
2 1/2"	30.2	55.0	90.0	40.58
3"	33.3	66.0	109.0	57.04
4"	39.3	83.0	133.0	101.48


 DRIEDELIGE KOPPELINGEN
 RACCORDS-UNIONS 3 PIECES
 SOCKET UNIONS

Beide zijden cilindrische binnendraad.
 Afdichting : O-ring EPDM. Ook leverbaar met FPM-ring : zie hoofdstuk VII Toebeoren.

Deux côtés femelles à filetage cylindrique.
 Etanchéité : joint torique EPDM. Egalement disponible avec joint torique FPM : voir chapitre VII Accessoires.

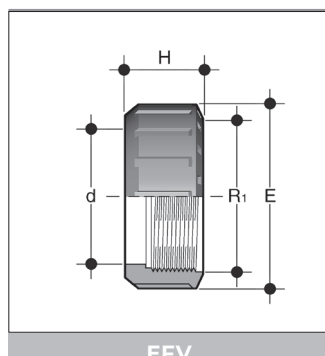
Both ends with interior parallel threads.
 Sealing : O-ring EPDM. Also available with FPM ring : see chapter VII Accessories.

R	R1	H	L	Z	E	€/ST/PC
3/8"	3/4"	40	11.4	17.2	33	7.96
1/2"	1"	46	15.0	16.0	41	8.14
3/4"	1 1/4"	51	16.3	18.4	50	8.73
1"	1 1/2"	57	19.1	18.8	58	11.41
1 1/4"	2"	65	21.4	22.2	72	15.77
1 1/2"	2 1/4"	65	21.4	22.2	79	19.84
2"	2 3/4"	78	25.7	26.6	98	24.43



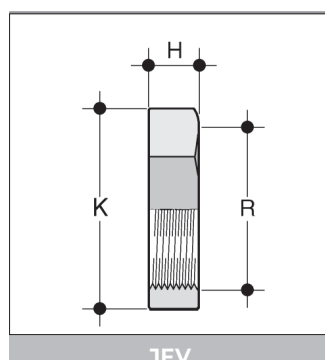
draadfittingen
raccords filetés
threaded fittings

PVC



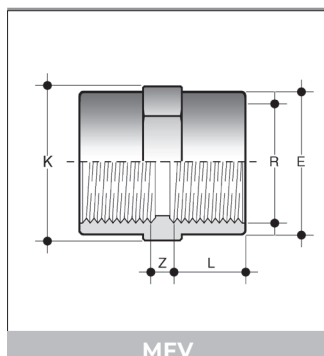
WARTELMOEREN
ECROUS FILETES
NUTS

	R ₁	PN	d	H	E	€/ST/PC
1/2"	16	17	24	27	1.24	
3/4"	16	22	21	33	1.24	
1"	16	28	22	41	2.76	
1 1/4"	16	28	22	50	3.03	
1 1/2"	16	36	25	58	5.05	
2"	16	53	30	72	6.00	
2 1/4"	16	59	34	79	13.16	
2 1/2"	16	68	36	90	13.94	
2 3/4"	16	74	38	98	14.21	
3 1/2"	10	93	42	121	34.06	
4"	10	105	46	140	41.65	
5"	10	129	52	165	51.09	



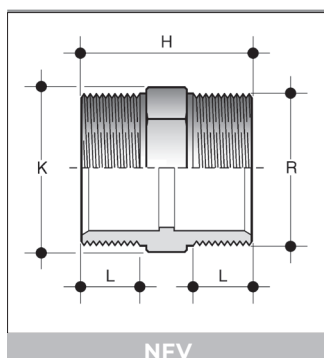
WARTELMOEREN
ECROUS FILETES
NUTS

	R	H	K	€/ST/PC
1/2"	13	28	4.78	
3/4"	13	33	5.37	
1"	10	54	5.38	
1 1/4"	10	63	5.96	
1 1/2"	19	60	31.76	
2"	21	79	38.08	


 SOKKEN
 MANCHONS
 DOUBLE SOCKETS

Beide zijden cilindrische binnendraad.
 Deux côtés femelles à filetage cylindrique.
 Both ends with interior parallel thread.

R	L	Z	E	K	G/ST/PC	€/ST/PC
3/8"	11.4	8.0	23.5	24	10	2.20
1/2"	15.0	7.0	28.5	29	17	2.30
3/4"	16.3	8.5	35.0	35	26	2.62
1"	19.1	9.0	43.0	43	42	3.21
1 1/4"	21.4	11.0	50.0	50	53	4.04
1 1/2"	21.4	17.5	61.0	61	108	6.35
2"	25.7	19.5	76.0	76	190	8.24
2 1/2"	30.0	9.0	89.0	90	215	25.32
3"	33.0	10.0	106.0	108	305	30.66
4"	39.0	11.0	130.0	131	652	46.02


 NIPPEL
 MAMELON DOUBLE
 NIPPLE

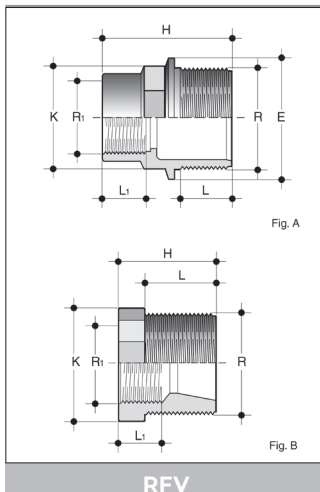
Beide zijden cilindrische buitendraad.
 Deux côtés mâles à filetage cylindrique.
 Both ends with exterior parallel thread.

R	E	L	K	H	G/ST/PC	€/ST/PC
3/8"	22	11.4	18	33	5	1.90
1/2"	28	15.0	23	41	10	2.02
3/4"	34	16.3	28	45	16	2.23
1"	40	19.1	35	51	27	2.34
1 1/4"	52	21.4	44	57	40	3.55
1 1/2"	58	21.4	51	58	55	4.44
2"	70	25.7	64	68	93	5.71
*2 1/2"	-	30.2	80	78	150	14.18
*3"	-	33.3	95	85	225	27.51
*4"	-	39.3	120	97	380	45.71

* PN 16 met gereduceerde veiligheidsfactor

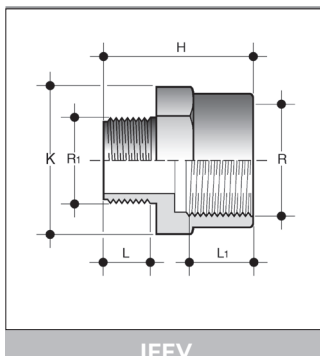
* PN 16 avec un facteur de sécurité réduit

* PN 16 with reduced safety factor


 VERMINDERINGSSTUKKEN
 REDUCTIONS
 REDUCERS

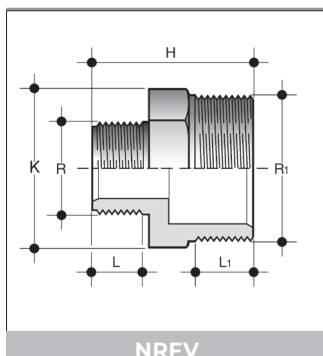
Eén zijde cilindrische binnendraad, andere zijde cilindrische buitendraad.
 Un côté femelle et un côté mâle à filetage cylindrique.
 One end with interior threads, the other end with exterior parallel threads.

R x R ₁	L ₁	L	H	E	K	TYPE	€/ST/PC
1/2" x 3/8"	11.4	15.0	35	28	23	A	2.09
3/4" x 3/8"	11.4	16.3	36	34	28	A	2.09
3/4" x 1/2"	15.0	16.3	39	34	28	A	2.09
1" x 3/8"	11.4	19.1	41	40	35	A	2.62
1" x 1/2"	15.0	19.1	44	40	35	A	2.62
1" x 3/4"	16.3	19.1	46	40	35	A	2.62
1 1/4" x 1/2"	15.0	21.4	48	52	44	A	3.68
1 1/4" x 3/4"	16.3	21.4	49	52	44	A	3.68
1 1/4" x 1"	19.1	21.4	52	52	44	A	3.68
1 1/2" x 1/2"	15.0	21.4	52	58	51	A	4.82
1 1/2" x 3/4"	16.3	21.4	50	58	51	A	4.82
1 1/2" x 1"	19.1	21.4	55	58	51	A	4.82
1 1/2" x 1 1/4"	21.4	21.4	57	58	51	A	4.82
2" x 3/4"	16.3	25.7	60	70	64	A	6.86
2" x 1"	19.1	25.7	63	70	64	A	6.86
2" x 1 1/4"	21.4	25.7	65	70	64	A	6.86
2" x 1 1/2"	21.4	25.7	65	70	64	A	6.86
2 1/2" x 2"	25.7	30.2	56	-	80	B	18.50
3" x 2"	25.7	33.3	66	-	93	B	29.04
3" x 2 1/2"	30.2	33.3	66	-	93	B	29.04
4" x 3"	33.3	39.3	79	-	118	B	46.07


 VERMINDERINGSSTUKKEN
 REDUCTIONS
 REDUCERS

Met uitwendige en inwendige cilindrische draad.
 Mâle et femelle à filetage cylindrique.
 One end with interior parallel threads, other end with exterior parallel threads.

R ₁ x R	L	L ₁	H	K	€/ST/PC
1/2" x 3/4"	15.0	16.3	41.0	36	3.73
1/2" x 1"	15.0	15.1	43.5	46	3.98
3/4" x 1"	16.3	19.1	45.0	46	3.98
1" x 1 1/4"	19.1	21.4	55.0	55	5.79
1 1/4" x 1 1/2"	21.4	21.4	62.0	65	7.63
1 1/2" x 2"	21.4	25.7	69.0	80	13.39
2" x 2 1/2"	25.7	30.2	81.0	95	15.63
2 1/2" x 3"	30.2	33.3	93.0	110	25.43
3" x 4"	33.3	39.3	106.0	130	38.74

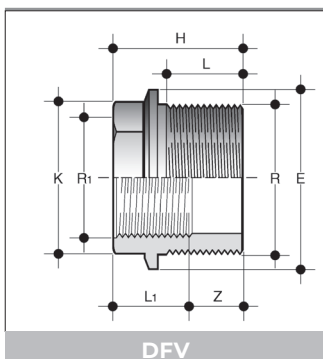


NRFV

 VERMINDERINGSNIPPELS
 MAMELONS DE REDUCTION
 REDUCING BARREL NIPPELS

Beide zijden uitwendige cilindrische draad.
 Deux côtés mâle à filetage cylindrique.
 Both ends with exterior parallel thread.

R x R ₁	L	L ₁	H	K	€/ST/PC
1/2" x 3/4"	15.0	16.3	43	30	2.30
3/4" x 1"	16.3	19.1	48	36	3.58
1" x 1 1/4"	19.1	21.4	54	46	3.68
1 1/4" x 1 1/2"	21.4	21.4	57	50	5.51
1 1/2" x 2"	21.4	25.7	62	65	6.69
2" x 2 1/2"	25.7	30.2	73	80	14.78
2 1/2" x 3"	30.2	33.3	82	95	29.04
3" x 4"	33.3	39.3	90	120	44.18

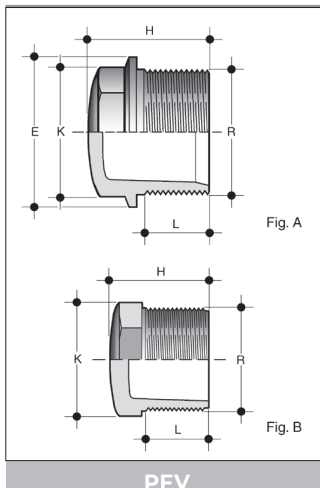


DFV

 VERMINDERINGSBUSSEN
 DOUILLES DE REDUCTION
 REDUCING BUSHES

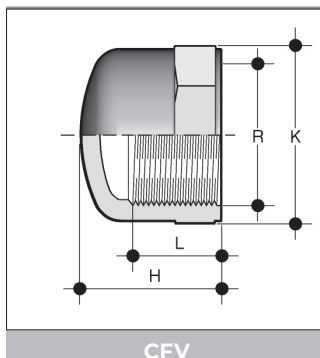
Met cilindrische binnen- en buitendraad.
 Mâle et femelle à filetage cylindrique.
 Interior and exterior parallel thread.

R x R ₁	L	L ₁	Z	H	E	K	€/ST/PC
1/2" x 3/8"	15.0	11.4	12.5	12.6	24.0	23	2.10
3/4" x 1/2"	16.3	15.0	11.5	11.5	26.5	28	2.45
1" x 3/4"	19.1	16.3	13.7	14.2	30.5	35	3.24
1 1/4" x 1"	21.4	19.1	14.4	14.9	34.0	44	4.13
1 1/2" x 1 1/4"	21.4	21.4	31.1	13.6	35.0	51	5.09
2" x 1 1/2"	25.7	21.4	18.6	18.6	40.0	64	6.86


DRAADSTOPPEN
BOUCHONS MALE
MALE PLUGS

Met cilindrische buitendraad.
 Mâle à filetage cylindrique.
 Exterior parallel threads.

R	L	H	E	K	TYPE	€/ST/PC
3/8"	11.4	22	22	18	A	1.60
1/2"	15.0	26	28	23	A	1.78
3/4"	16.3	30	34	28	A	1.98
1"	19.1	34	40	35	A	2.30
1 1/4"	21.4	38	52	44	A	3.39
1 1/2"	21.4	40	58	51	A	4.30
2"	25.7	43	-	64	B	4.81
2 1/2"	30.2	61	-	80	B	22.06
3"	33.3	71	-	93	B	29.64
4"	39.3	87	-	118	B	66.62


AFSLUITKAPPEN
BOUCHONS
END CAPS

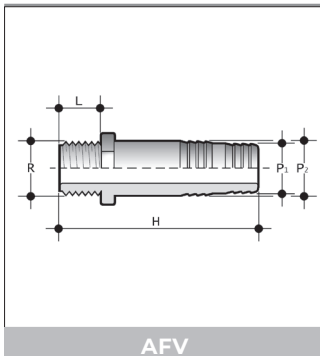
Met cilindrische binnendraad.
 Femelle à filetage cylindrique.
 Interior parallel thread.

R	L	H	K	€/ST/PC
3/8"	11.4	19	23.0	1.90
1/2"	15.0	25	28.0	2.14
3/4"	16.3	27	34.0	2.79
1"	19.1	31	42.0	3.13
1 1/4"	21.4	35	51.0	3.96
1 1/2"	21.4	36	58.0	5.45
2"	25.7	42	71.0	7.12
3"	33.3	55	109.0	24.43



draadfittingen
raccords filetés
threaded fittings

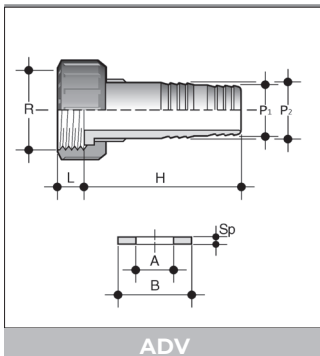
PVC



SLANGPILAREN
EMBOUITS CANNELES
HOSE ADAPTORS

Met cilindrische buitendraad.
Mâle à filetage cylindrique.
Exterior parallel thread.

$P_1 \times P_2 \times R$	L	H	€/ST/PC
12 x 14 x 1/4"	11.0	56	1.68
16 x 18 x 3/8"	11.4	58	1.94
20 x 22 x 1/2"	15.0	66	2.25
25 x 27 x 3/4"	16.3	81	2.51
30 x 32 x 1"	19.1	97	3.21
40 x 42 x 1 1/4"	21.4	104	4.30
50 x 52 x 1 1/2"	21.4	111	5.46
60 x 64 x 2"	25.7	123	8.48



SLANGPILAREN
EMBOUITS CANNELES
HOSE ADAPTORS

Aansluiting met wartelmoer met cilindrische binnendraad.
Inclusief afdichting : vlakke EPDM-ring of FPM.

Raccordement par écrou femelle à filetage cylindrique.
Étanchéité inclus: joint plat EPDM ou FPM.

With parallel threaded nut connection.
Flat seal included: EPDM or FPM.

$P_1 \times P_2 \times R$	L	H	€/ST/PC
12 x 14 x 1/2"	14.0	56	3.68
16 x 18 x 3/4"	11.5	60	4.82
20 x 22 x 1"	11.0	67	5.10
25 x 27 x 1 1/4"	14.0	81	5.87
30 x 32 x 1 1/2"	16.0	97	6.86
40 x 42 x 2"	18.0	104	9.00
50 x 52 x 2"	16.0	111	14.35
50 x 52 x 2 1/4"	17.5	111	14.35
60 x 64 x 2 1/2"	19.0	123	31.18
60 x 64 x 2 3/4"	20.0	123	31.18