

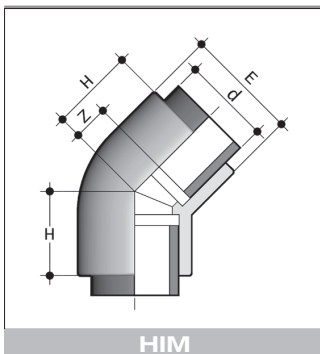
GIM

KNIEEN 90°  
COUDES A 90°  
ELBOWS 90°

PN 10

Gespoten  
Injectés  
Moulded

D	H	Z	E	€/ST/PC
20	27.5	13.0	27.5	3.78
25	32.0	16.0	33.5	4.54
32	37.0	20.0	41.5	5.47
40	42.5	22.0	51.5	6.89
50	51.0	27.5	63.5	12.73
63	61.0	33.5	78.5	16.54
75	73.0	42.0	92.5	34.37
90	64.5	49.0	110.5	42.20
110	100.5	59.0	135.0	63.29



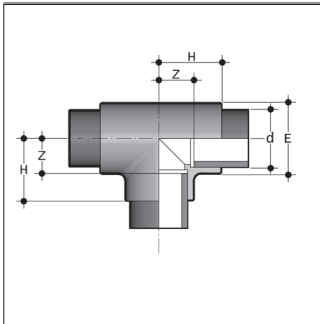
HIM

KNIEEN 45°  
COUDES A 45°  
ELBOWS 45°

PN 10

Gespoten  
Injectés  
Moulded

d	D	L	Z	€/ST/PC
20	27.5	21.0	6.5	5.47
25	33.5	24.5	8.5	5.83
32	42.0	29.0	12.0	7.15
40	51.5	35.5	15.0	9.92
50	63.0	42.5	19.0	12.73
63	79.0	51.0	23.5	16.92
75	93.0	51.0	20.0	31.37
90	114.0	58.0	23.0	43.97
110	135.0	68.0	27.0	65.22



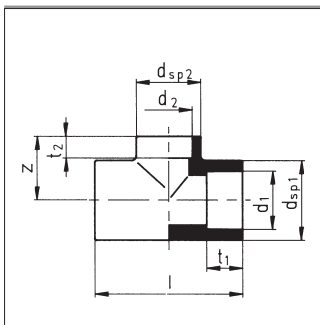
TIM

T-STUKKEN 90°  
TES A 90°  
TEES 90°

PN 10

Gespoten  
Injectés  
Moulded

D	H	Z	E	€/ST/PC
20	27.5	13.0	27.5	4.34
25	31.5	15.5	33.5	4.97
32	37.0	19.0	41.5	5.83
40	42.0	22.5	52.0	7.48
50	52.0	28.5	64.0	13.25
63	62.5	35.0	79.5	16.87
75	71.0	40.0	92.5	39.17
90	81.5	46.0	110.5	63.19
110	99.5	58.0	134.5	80.24



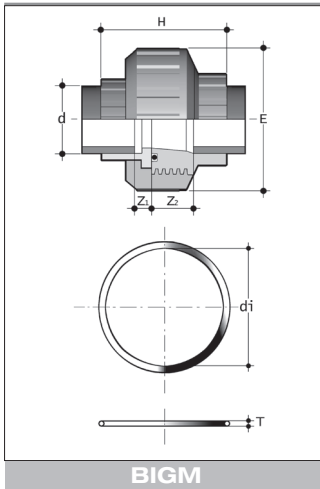
TRAM

VERLOOP T-STUKKEN 90°  
TES REDUITS A 90°  
REDUCED TEES 90°

PN 10

Gespoten  
Injectés  
Moulded

d1 x d2	dsp1	dsp2	t1	t2	l <sup>1</sup>	z	KG/ST/PC	€/ST/PC
25 x 20	34.8	29.9	18.4	16.1	68.5	31.9	0.04	5.42
32 x 20	43.0	29.9	20.0	16.1	79.7	39.8	0.05	6.63
32 x 25	43.0	35.0	20.0	18.0	79.5	40.0	0.06	6.63
40 x 20	53.0	29.7	21.7	16.1	89.9	44.8	0.08	7.55
40 x 25	53.2	35.3	21.7	18.0	90.5	46.8	0.08	7.55
40 x 32	53.0	43.0	21.5	19.0	91.0	45.0	0.10	7.55
50 x 20	65.4	30.0	25.0	16.0	110.0	50.0	0.16	12.17
50 x 25	65.5	35.5	25.0	18.0	110.0	51.0	0.16	12.17
50 x 32	65.0	43.0	24.0	19.0	108.0	54.0	0.17	12.17
50 x 40	65.0	53.0	24.5	21.0	107.0	52.5	0.17	12.17
63 x 25	81.0	36.0	28.6	17.6	130.0	65.0	0.27	17.83
63 x 32	81.0	43.5	28.6	19.1	130.0	65.0	0.27	17.83
63 x 40	81.0	53.0	28.6	21.5	130.0	65.0	0.28	17.83
63 x 50	81.0	66.0	28.6	24.0	130.0	65.0	0.28	17.83



**BIGM**

DRIEDELIGE KOPPELINGEN  
RACCORDS UNION  
SOCKET UNIONS

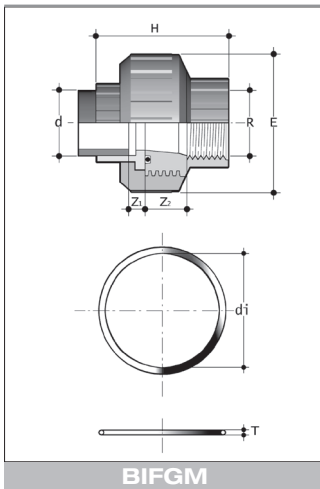
**PN 10**

Gespoten. Beide zijden inwendige lasmof.  
Afdichting: O-ring in EPDM of FPM.

Injectés. Deux côtés femelles à souder.  
Etanchéité: joint torique en EPDM ou en FPM.

Moulded. Both ends for socket welding.  
Sealing: O-ring made of EPDM or FPM.

D	R1	Z1	Z2	H	E	€/ST/PC	
						EPDM	FPM
20	1"	12	5.5	45.5	47	14.74	17.26
25	1 1/4"	12	5.5	49.5	58	16.50	18.94
32	1 1/2"	12	5.5	53.5	65	18.94	22.46
40	2"	14	5.5	59.5	78	23.89	30.06
50	2 1/4"	16	5.5	67.5	85	34.23	42.12
63	2 3/4"	20	5.5	79.5	103	48.78	58.06



**BIFGM**

DRIEDELIGE KOPPELINGEN  
RACCORDS UNION  
SOCKET UNIONS

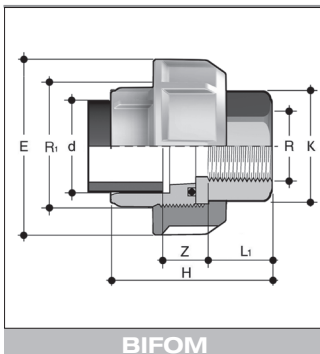
**PN 10**

Gespoten. Eén zijde inwendige lasmof, andere zijde cilindrische binnendraad.  
Afdichting: O-ring in EPDM of FPM

Injectés. Un côté femelle à souder, un côté femelle à filetage cylindrique.  
Etanchéité: joint torique en EPDM ou en FPM .

Moulded. One end for socket welding, other end with interior parallel thread.  
Sealing: O-ring made of EPDM or FPM.

D x R	R1	L1	Z1	Z2	H	E	€/ST/PC	
							EPDM	FPM
20 x 1/2"	1"	15.0	5.5	16.0	50.5	47	22.46	26.22
25 x 3/4"	1 1/4"	16.3	5.5	16.7	54.5	58	24.62	28.26
32 x 1"	1 1/2"	19.1	5.5	16.9	59.5	65	25.80	31.46
40 x 1 1/4"	2"	21.4	5.5	19.6	66.5	78	40.24	51.16
50 x 1 1/2"	2 1/4"	21.4	5.5	23.6	73.5	85	58.88	73.10
63 x 2"	2 3/4"	25.7	5.5	24.3	82.5	103	67.66	80.24



BIFOM

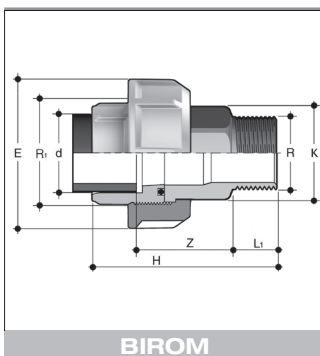
DRIEDELIGE KOPPELINGEN  
RACCORDS D'ADAPTATION 3 PIECES  
SOCKETS UNIONS

Inlegstuk: PP met lasmof  
Puntstuk: messing met parallel binnendraad  
Wartelmoer: PP  
Afdichting: O-ring EPDM

Pièce folle: PP, côté femelle à souder  
Pièce taraudée: laiton, femelle à filetage parallel  
Ecrou: PP  
Etanchéité: joint torique EPDM

Insert: PP, socket for socket welding  
Close end: brass with parallel female threaded  
Union nut: PP  
Sealing: O-ring EPDM

d x R	R1	PN	L1	Z	H	K	E	€/ST/PC
20 x 1/2"	1"	10	16.5	18.0	48.5	25	47	25.95
25 x 3/4"	1 1/4"	10	18.5	19.0	53.5	32	58	31.67
32 x 1"	1 1/2"	10	19.5	20.0	57.5	38	65	39.56
40 x 1 1/4"	2"	10	21.5	23.0	64.5	48	78	48.79
50 x 1 1/2"	2 1/4"	10	23.0	32.5	78.5	55	85	63.02
63 x 2"	2 3/4"	10	27.0	31.5	85.5	69	103	81.81



BIROM

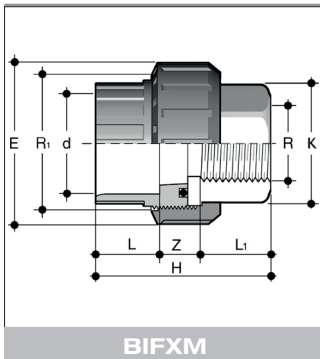
DRIEDELIGE KOPPELINGEN  
RACCORDS D'ADAPTATION 3 PIECES  
SOCKETS UNIONS

Inlegstuk: PP met lasmof  
Puntstuk: messing met parallel buitendraad  
Wartelmoer: PP  
Afdichting: O-ring EPDM

Pièce folle: PP, côté femelle à souder  
Pièce taraudée: laiton, mâle à filetage pararell  
Ecrou: PP  
Etanchéité: joint torique EPDM

Insert: PP, socket for socket welding  
Close end: brass with parallel male threaded  
Union nut: PP  
Sealing: O-ring EPDM

d x R	R1	PN	L1	Z	H	K	E	€/ST/PC
20 x 1/2"	1"	10	13.5	37.5	65.0	25	47	29.20
25 x 3/4"	1 1/4"	10	15.0	40.5	71.5	32	58	35.31
32 x 1"	1 1/2"	10	17.5	42.5	78.0	38	65	45.38
40 x 1 1/4"	2"	10	19.5	47.5	87.0	48	78	59.84
50 x 1 1/2"	2 1/4"	10	19.5	52.5	95.0	55	85	73.75
63 x 2"	2 3/4"	10	24.0	62.5	113.5	69	103	95.06



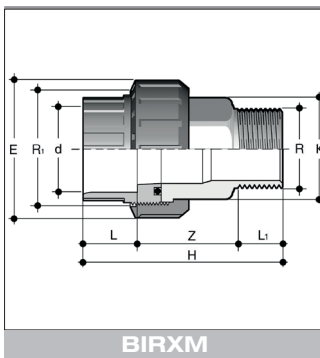
DRIEDELIGE KOPPELINGEN  
RACCORDS D'ADAPTATION 3 PIECES  
SOCKETS UNIONS

Inlegstuk: PP met lasmof  
Puntstuk: RVS A316 L met BSP binnendraad  
Wartelmoer: PP  
Afdichting: O-ring EPDM of FPM

Pièce folle: PP, côté femelle à souder  
Pièce taraudée: inox A316 L, femelle à filetage BSP  
Ecrou: PP  
Etanchéité: joint torique EPDM / FPM

Insert: PP, socket for socket welding  
Close end: BSP threaded A316 L stainless steel female  
Union nut: PP  
Sealing: O-ring EPDM or FPM

d x R	R1	PN	L1	Z	L	H	K	E	€/ST/PC	
									EPDM	FPM
20 x 1/2"	1"	16	16.5	16.0	16	48.5	25	41	114.80	117.20
25 x 3/4"	1 1/4"	16	18.5	17.0	19	54.5	32	50	139.47	141.96
32 x 1"	1 1/2"	16	19.5	18.0	22	59.5	38	58	162.46	166.04
40 x 1 1/4"	2"	16	21.5	21.0	26	68.5	48	72	196.39	202.62
50 x 1 1/2"	2 1/4"	16	23.0	30.5	31	84.5	55	79	215.38	223.46
63 x 2"	2 3/4"	16	27.0	29.5	38	94.5	69	98	236.65	246.15



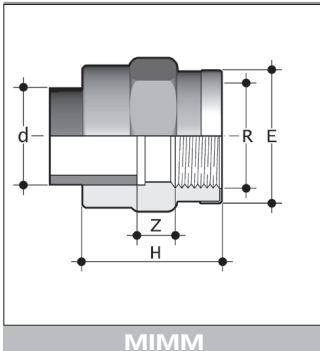
DRIEDELIGE KOPPELINGEN  
RACCORDS D'ADAPTATION 3 PIECES  
SOCKETS UNIONS

Inlegstuk: PP met lasmof  
Puntstuk: RVS A316 L met BSP buitendraad  
Wartelmoer: PP  
Afdichting: O-ring EPDM of FPM

Pièce folle: PP, côté femelle à souder  
Pièce taraudée: inox A316 L, mâle à filetage BSP.  
Ecrou: PP  
Etanchéité: joint torique EPDM ou FPM

Insert: PP, socket for socket welding  
Close end: BSP threaded A316 L stainless steel male  
Union nut: PP  
Sealing: O-ring EPDM or FPM

d x R	R1	PN	L1	Z	L	H	K	E	€/ST/PC	
									EPDM	FPM
20 x 1/2"	1"	16	13.5	35.5	16	65.0	25	41	129.15	131.60
25 x 3/4"	1 1/4"	16	15.0	38.5	19	72.5	32	50	155.52	158.03
32 x 1"	1 1/2"	16	17.5	40.5	22	80.0	38	58	186.41	190.95
40 x 1 1/4"	2"	16	19.5	45.5	26	91.0	48	72	240.94	247.17
50 x 1 1/2"	2 1/4"	16	19.5	50.5	31	101.0	55	79	252.07	260.18
63 x 2"	2 3/4"	16	24.0	60.5	38	122.5	69	98	274.95	284.48



OVERGANGSSTUKKEN  
EMBOUTS D'ADAPTATION  
ADAPTOR COUPLINGS

**PN 10**

Gespoten.

Eén zijde inwendige lasmof, andere zijde cilindrische binnendraad met RVS versterkingsring.

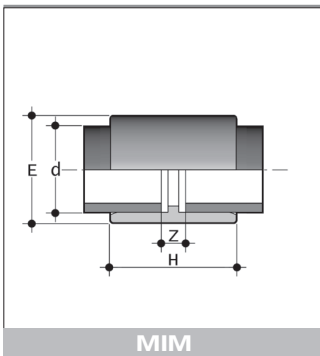
Injectés.

Un côté femelle à souder, un côté femelle à filetage cylindrique renforcé d'une bague en inox.

Moulded.

One end for socket welding, other end with interior parallel thread with RVS reinforcing ring.

D x R	H	Z	E	€/ST/PC
<b>20 x 1/2"</b>	37.5	8.5	30	<b>5.13</b>
<b>25 x 3/4"</b>	40.0	8.0	39	<b>6.49</b>
<b>32 x 1"</b>	44.0	7.0	47	<b>8.23</b>
<b>40 x 1 1/4"</b>	49.0	8.0	55	<b>9.90</b>
<b>50 x 1 1/2"</b>	53.5	9.0	66	<b>16.28</b>
<b>63 x 2"</b>	62.0	9.0	83	<b>20.54</b>



SOKKEN  
MANCHONS  
SOCKETS

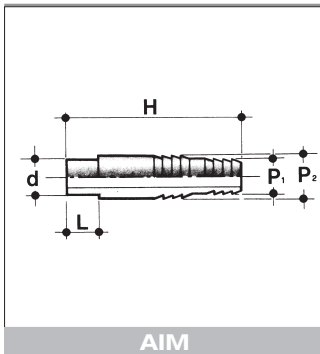
**PN 10**

Gespoten.

Injectés.

Moulded.

D	H	Z	E	€/ST/PC
<b>20</b>	36.5	7.5	27.5	<b>2.67</b>
<b>25</b>	40.0	8.0	33.5	<b>3.03</b>
<b>32</b>	44.5	8.5	42.0	<b>3.47</b>
<b>40</b>	48.5	7.5	52.0	<b>4.15</b>
<b>50</b>	55.5	8.2	63.0	<b>7.90</b>
<b>63</b>	64.0	9.0	77.5	<b>12.03</b>
<b>75</b>	72.0	10.0	91.0	<b>16.77</b>
<b>90</b>	81.0	10.0	109.0	<b>23.91</b>
<b>110</b>	93.0	10.0	132.0	<b>37.56</b>



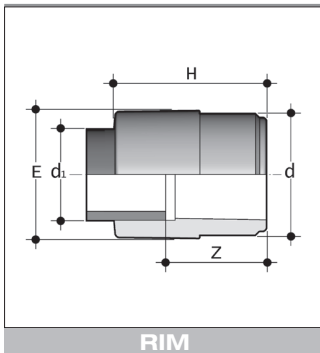
AIM

SLANGPILAREN  
EMBOUTS CANNELES  
HOSE ADAPTORS

PN 10

Gespoten, met uitwendig laseinde.  
Injectés, un côté mâle à souder.  
Moulded, with exterior welding end.

D x P1 x P2	L	H	€/ST/PC
20 x 20 x 22	16	67	3.90
25 x 25 x 27	18	81	4.97
32 x 32 x 30	20	95	6.01
40 x 40 x 42	22	104	10.42
50 x 50 x 52	25	111	13.00
63 x 60 x 64	29	122	14.92



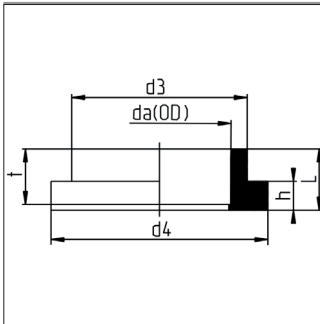
RIM

VERLOOPSTUKKEN  
REDUCTIONS  
REDUCERS

PN 10

Gespoten, met in- en uitwendig laseinde.  
Injectés, côté mâle et femelle à souder.  
Moulded, with interior and exterior welding ends.

D x D1	H	Z	E	g	€/ST/PC
25 x 20	39.0	24.5	28.0	10	3.65
32 x 20	43.0	30.0	33.5	13	4.54
32 x 25	46.0	30.0	33.5	17	4.54
40 x 25	48.0	33.0	42.0	24	5.13
40 x 32	51.0	33.0	42.0	27	5.32
50 x 32	54.0	36.0	51.5	39	6.86
50 x 40	56.5	36.0	51.5	44	6.73
63 x 32	61.0	44.0	65.0	69	8.08
63 x 50	67.5	44.0	65.0	76	8.23
75 x 50	69.0	47.0	77.5	106	14.74
75 x 63	74.5	47.0	77.5	115	14.74
90 x 63	82.0	56.0	91.5	156	20.51
90 x 75	87.5	56.0	91.5	175	20.51
110 x 63	93.0	66.0	111.5	290	28.09
110 x 90	101.5	66.0	111.5	305	29.04



QAM

KRAAGBUSSEN VLAK  
COLLETS A JOINT PLAT  
FLAT-SEATED STUBS

PN 10

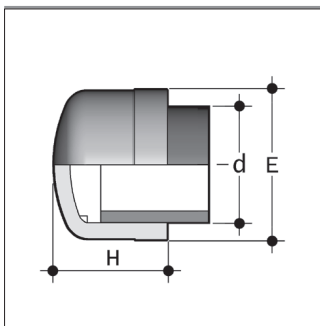
Gespoten  
Injectés  
Moulded

d	L	d3	d4	h	t	G/ST/PC	€/ST/PC
20	21	27.0	45	10.0	16	0.01	3.79
25	23	33.0	58	10.0	18	0.03	4.02
32	26	40.8	68	10.0	20	0.03	4.46
40	26	50.0	77	10.5	22	0.04	5.52
50	30	61.5	88	13.0	24	0.06	6.59
63	34	76.6	102	14.0	29	0.09	8.52
75	38	91.2	121	16.0	32	0.14	16.56
90	40	105.0	138	17.0	37	0.19	25.55
110	47	131.0	158	18.0	42	0.29	37.93

OVERSCHUIFFLENZEN MET STALEN KERN - PP-GFK  
BRIDES LIBRES AVEC NOYAU EN ACIER - PP-GFK  
BACKING FLANGES WITH STEEL INSERT - PP-GFK

PN 10

Materiaal: PP, versterkt met 30% glasvezel, met stalen kern. Zie hoofdstuk flenzen.  
Matériau: PP, renforcé de 30% de fibres de verre, avec noyau en acier. Voir chapitre brides.  
Material: PP +30% glassfibre, moulded with steel insert. See chapter flanges.



CIM

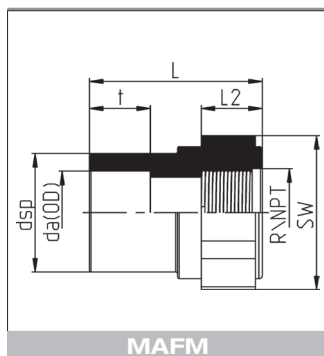
EINDKAPPEN  
BOUCHONS FEMELLES  
END CAPS

PN 10

Gespoten.  
Injectés.  
Moulded.

D	L	E	€/ST/PC
20	24.5	27.5	3.47
25	27.0	33.5	3.47
32	31.5	42.0	4.30
40	35.5	51.0	5.13
50	41.0	63.0	7.23
63	44.0	77.5	9.33
75	48.0	91.0	17.07
90	65.0	109.0	19.74
110	71.0	132.0	27.30





OVERGANGSSTUKKEN  
EMBOUTS D'ADAPTATION  
ADAPTOR COUPLINGS

PN 10

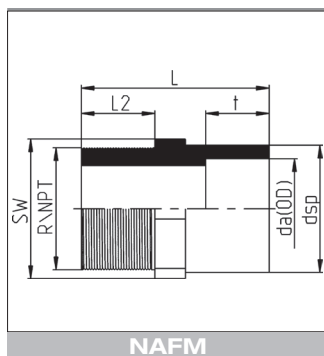
Gespoten, S-5/SDR 11.  
Eén zijde binnendraad. GFK versterkt.  
Alleen geschikt voor kunststof draadverbindingen.

Injectés, S-5/SDR 11.  
Un côté femelle. Renforcé fibre de verre.  
Uniquement pour des connection matières synthétiques.

Moulded, S-5/SDR 11.  
One end female threaded. Glassfiber reinforced.  
Only for plastic threaded connections.

d	dsp	L	L2	t	K	E	SW	R	KG/ST/PC	€/ST/PC
20	29.0	45.0	16.0	16.0	18.63	20.96	32	1/2"	0.018	7.42
25	35.0	50.5	18.0	18.0	24.12	26.44	41	3/4"	0.032	8.41
32	43.0	57.0	20.0	20.0	30.29	33.25	46	1"	0.045	11.06
40	52.5	62.5	22.0	22.0	38.95	41.91	55	1 1/4"	0.066	12.65
50	65.0	68.0	25.5	24.5	44.85	47.80	70	1 1/2"	0.124	19.85
63	81.0	74.0	30.0	29.5	56.66	59.61	85	2"	0.190	24.86

NPT : op aanvraag / sur demande / on request



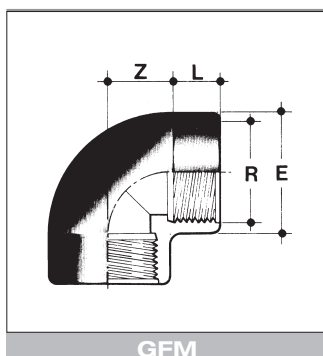
OVERGANGSSTUKKEN  
EMBOUTS D'ADAPTATION  
ADAPTOR COUPLINGS

PN 10

Gespoten. Draadaansluiting standaard met BS-draad, NPT-draad op aanvraag.  
Injectés. Raccord fileté BS, filetage NPT sur demande.  
Moulded. Standard thread, BS, NPT on request.

d	dsp	L	L2	t	K	E	SW	R	KG/ST/PC	€/ST/PC
20	25	51	20	15.0	24.12	26.44	27	3/4"	0.010	6.98
25	32	61	24	16.5	30.29	33.25	36	1"	0.024	8.85
32	40	66	27	18.6	38.95	41.91	46	1 1/4"	0.040	10.66
40	50	74	29	21.0	44.85	47.80	55	1 1/2"	0.062	17.44
50	63	78	31	24.0	56.66	59.61	65	2"	0.092	22.04

NPT : op aanvraag / sur demande / on request

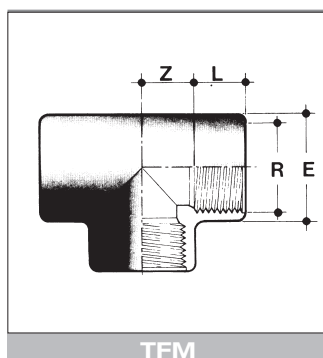


GFM

KNIEEN 90°  
COUDES A 90°  
ELBOWS 90°

Beide zijden cilindrische binnendraad.  
Deux côtés femelles à filetage cylindrique.  
Both ends with interior parallel thread.

R	L	Z	E	€/ST/PC
3/8"	15.5	7.5	24.5	3.80
1/2"	16.5	11.0	29.5	5.16
3/4"	19.5	13.0	35.5	7.02
1"	20.0	18.5	43.0	8.52
1 1/4"	20.0	20.0	50.0	13.91
1 1/2"	26.0	26.0	61.0	21.59
2"	32.5	30.5	76.0	26.75

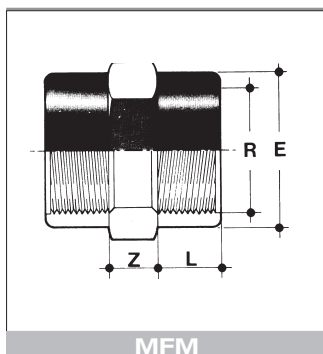


TFM

T-STUKKEN 90°  
TES A 90°  
TEES 90°

Alle zijden cilindrische binnendraad.  
Trois côtés femelles à filetage cylindrique.  
All ends with interior parallel thread.

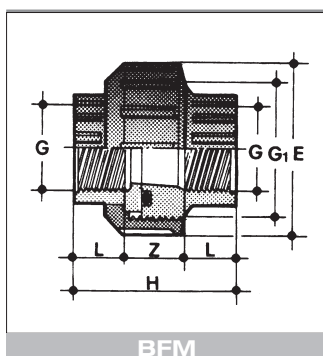
R	L	Z	E	€/ST/PC
3/8"	14.5	8.5	24.5	5.07
1/2"	16.5	11.5	29.0	6.10
3/4"	19.5	13.0	35.5	7.52
1"	20.0	19.5	43.0	8.96
1 1/4"	23.0	21.0	57.0	15.84
1 1/2"	26.0	27.0	65.5	24.33
2"	30.5	33.0	80.5	29.43



SOKKEN  
MANCHONS  
DOUBLE SOCKETS

Beide zijden cilindrische binnendraad.  
Deux côtés femelles à filetage cylindrique.  
Both ends with interior parallel thread.

R	L	Z	E	€/ST/PC
3/8"	15.0	3.0	24.0	4.28
1/2"	16.5	2.5	29.0	5.07
3/4"	19.0	4.0	35.0	5.96
1"	22.0	3.0	43.5	7.56
1 1/4"	23.0	7.0	57.0	10.76
1 1/2"	26.0	6.0	65.0	15.03
2"	29.5	7.0	80.5	21.47



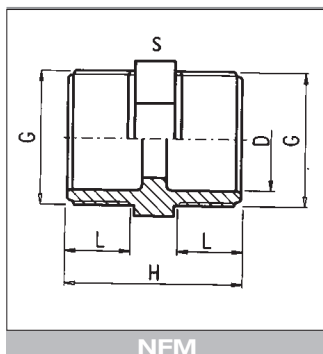
DRIEDELIGE KOPPELINGEN  
RACCORDS UNION  
SOCKET UNIONS

Alle zijden cilindrische binnendraad.  
Afdichting: O-ring FPM.

Trois côtés femelles à filetage cylindrique.  
Etanchéité: joint torique FPM.

All ends with interior parallel thread.  
Sealing: O-ring FPM.

R	H	L	Z	E	€/ST/PC
1/2"	51.0	17.0	17.0	53.0	24.97
3/4"	56.0	18.0	20.0	62.0	27.04
1"	62.0	20.5	21.0	70.0	30.54
1 1/4"	68.5	22.5	23.5	81.0	41.43
1 1/2"	76.0	25.0	26.0	88.5	55.94
2"	85.0	29.0	27.0	104.5	76.39

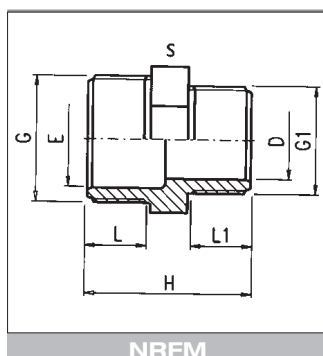


NFM

DUBBELE NIPPELS  
MAMELONS DOUBLES  
BARREL NIPPLES

Beide zijden cilindrische buitendraad.  
Deux côtes mâle à filetage cylindrique.  
Both ends with exterior parallel threads.

R	L	D	H	S	€/ST/PC
3/8"	15.0	10.0	36.0	20	2.96
1/2"	15.5	13.5	38.0	24	3.33
3/4"	16.0	18.0	38.5	27	4.20
1"	18.5	23.5	43.5	36	5.37
1 1/4"	20.0	30.5	57.5	46	6.34
1 1/2"	20.0	35.0	57.5	54	7.79
2"	24.0	44.5	66.5	63	11.71

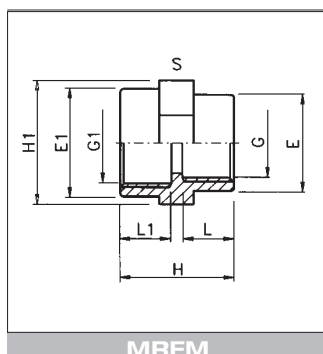


NRFM

VERMINDERINGSNIPPELS  
MAMELONS DE REDUCTION  
REDUCING BARREL NIPPLES

Beide zijden cilindrische buitendraad.  
Deux côtes mâle à filetage cylindrique.  
Both ends with exterior parallel threads.

G x G1	L	L1	D	E	H	S	€/ST/PC
3/8" x 1/2"	15.5	15.0	10.0	13.5	37.0	24	4.00
1/2" x 3/4"	16.0	15.5	13.5	18.0	38.0	27	5.23
3/4" x 1"	18.0	16.0	17.5	24.0	40.0	36	6.79
1" x 1 1/4"	20.0	18.5	21.5	30.5	55.0	46	7.92
1" x 1 1/2"	20.0	18.5	21.5	35.5	56.0	54	8.96
1 1/4" x 1 1/2"	20.0	20.0	30.5	35.5	57.5	54	9.76
1 1/2" x 2"	24.0	20.5	35.5	44.5	61.5	64	14.41

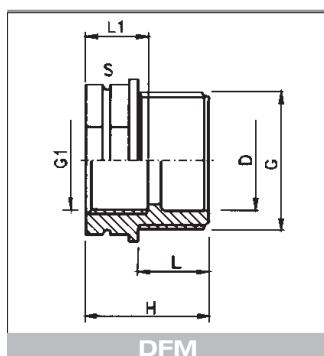


MRFM

VERMINDERINGSMOFFEN  
MANCHONS DE REDUCTION  
REDUCING SOCKETS

Beide zijden cilindrische binnendraad.  
Deux côtes femelles à filetage cylindrique.  
Both ends with interior parallel threads.

G x G1	E	E1	L	L1	H1	H	S	€/ST/PC
3/4" x 1/2"	28.5	34.5	16	19.0	38.0	38	36	5.77
1" x 3/4"	35.0	42.0	19	23.5	45.5	46	44	7.56

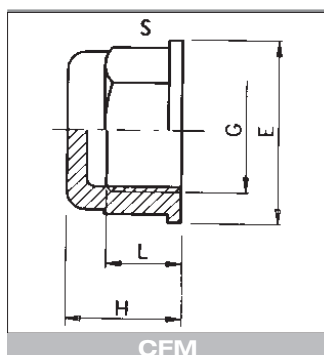


DFM

VERMINDERINGSBUSSEN  
DOUILLES DE REDUCTION  
REDUCING BUSHES

Met cilindrische binnen- en buitendraad.  
Mâle et femelle à filetage cylindrique.  
Interior and exterior parallel threads.

G x G <sub>1</sub>	H	L	L1	S	€/ST/PC
3/8" x 1/4"	20	10	10	17	5.17
1/2" x 3/8"	26.5	16	15	25	5.17
3/4" x 1/2"	33.0	18.0	17	27	5.94
1" x 3/4"	35.0	19.5	19	36	8.10
1 1/4" x 1"	39.0	21.0	19	46	11.49
1 1/2" x 1 1/4"	39.0	21.0	21	50	16.11
2" x 1 1/2"	43.5	25.5	21	65	22.94

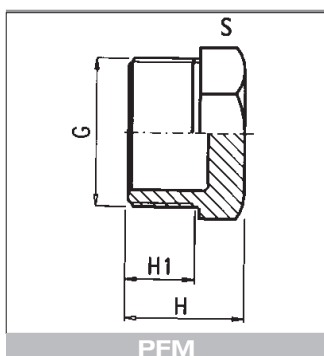


CFM

AFSLUITKAPPEN  
BOUCHONS  
END CAPS

Met cilindrische binnendraad.  
Femelles à filetage cylindrique.  
Interior parallel threads.

G	E	L	H	S	€/ST/PC
3/8"	26.5	16.0	19.0	23	5.24
1/2"	32.0	16.0	20.5	28	6.22
3/4"	38.0	18.0	24.0	33	6.53
1"	45.0	18.0	25.0	40	7.52
1 1/4"	56.0	20.0	26.5	50	9.37
1 1/2"	63.0	23.0	30.0	57	10.81
2"	75.0	26.5	36.0	71	14.98

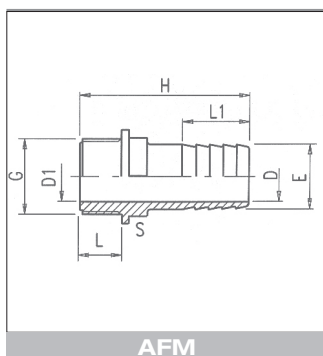


PFM

DRAADSTOPPEN  
BOUCHONS MALE  
MALE PLUGS

Met cilindrische buitendraad.  
Mâle à filetage cylindrique.  
Exterior parallel threads.

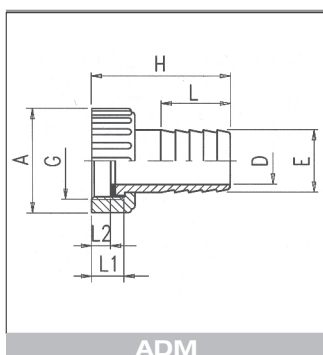
R	H	H1	S	€/ST/PC
3/8"	21.0	13.5	22	2.96
1/2"	22.5	14.0	27	3.33
3/4"	24.0	15.5	34	4.20
1"	25.0	15.5	40	5.37
1 1/4"	39.0	20.0	46	6.34
1 1/2"	39.0	20.0	55	7.79
2"	43.0	24.0	64	11.71



AFM

SLANGPILAREN  
EMBOUITS CANNELES  
HOSE NOZZLES

G x E	L	L1	D	H	CH	DI	€/ST/PC
<b>1/4" x 12</b>	12.0	27	7.0	48.0	15	7.0	<b>2.35</b>
<b>3/8" x 16</b>	13.5	33	10.0	62.5	20	10.0	<b>2.78</b>
<b>1/2" x 20</b>	13.5	33	15.0	63.0	24	15.0	<b>5.03</b>
<b>3/4" x 25</b>	14.5	36	20.0	68.5	30	19.0	<b>6.47</b>
<b>1" x 30</b>	14.5	33	24.5	72.0	37	24.5	<b>7.61</b>
<b>1 1/4" x 40</b>	15.0	44	34.0	82.0	40	32.0	<b>14.57</b>
<b>1 1/2" x 50</b>	15.5	43	43.0	85.5	50	38.5	<b>17.44</b>
<b>2" x 60</b>	16.0	47	52.0	89.0	60	50.0	<b>18.63</b>



ADM

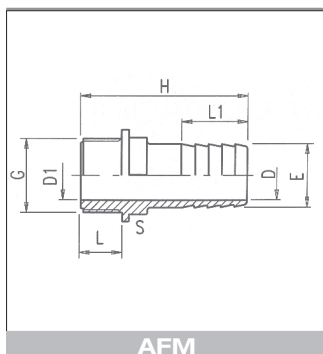
SLANGPILAREN  
EMBOUITS CANNELES  
HOSE NOZZLES

Aansluiting met wartelmoer met cilindrische binnendraad.  
Afdichting : vlakke EPDM ring.

Raccordement par écrou femelle à filetage cylindrique.  
Etanchéité : joint plat EPDM.

Connection with parallel threaded nut connection.  
Flat seal : EPDM.

G x E	L1	L2	L	D	H	A	€/ST/PC
<b>3/8" x 12</b>	15.0	9.0	28	7.5	47.0	23.0	<b>8.55</b>
<b>1/2" x 16</b>	16.0	10.0	33	10.0	61.0	27.5	<b>11.22</b>
<b>3/4" x 20</b>	17.0	11.0	33	15.0	62.0	33.0	<b>12.03</b>
<b>1" x 25</b>	18.5	12.0	37	19.5	68.0	40.5	<b>14.57</b>
<b>1 1/4" x 30</b>	18.5	11.5	33	24.5	72.0	51.0	<b>18.63</b>
<b>1 1/2" x 40</b>	19.0	12.0	44	33.5	81.5	57.0	<b>29.37</b>
<b>2" x 50</b>	19.0	12.5	43	43.5	84.5	69.5	<b>37.64</b>



AFM

KUNSTSTOF SLANGKOPPELINGEN  
EMBOUTS CANNELES EN MATIERE PLASTIQUE  
HOSE NOZZLES

PP slangpilaar met buitenschroefdraad. Alleen voor gebruik met water (H<sub>2</sub>O)

**Opmerking** : ook verkrijgbaar in PA uitvoering.

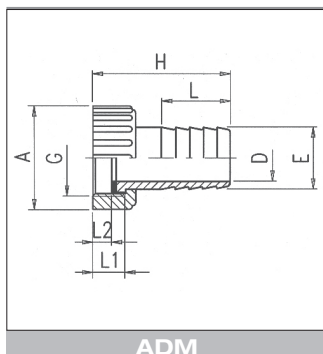
Embout cannelé en PP à filetage extérieur. Uniquement pour l'eau (H<sub>2</sub>O)

**Remarque** : également disponible en PA.

PP hose coupling with exterior thread. Only for use with water (H<sub>2</sub>O)

**Remark** : also available in PA.

G x E	L	L1	D	H	S	DI	€/ST/PC
1/4" x 7	12.0	17.0	4.0	39.5	15	7.0	1.24
1/4" x 9	11.5	22.5	5.5	47.0		7.0	1.24
1/4" x 10	12.0	22.0	7.0	47.0		7.0	1.26
1/4" x 12	12.0	27.0	7.5	48.0	15	7.0	1.26
3/8" x 7	13.5	17.0	4.0	41.0	20	10.0	1.35
3/8" x 10	13.5	22.0	6.0	46.5	20	10.0	1.35
3/8" x 12	13.5	27.0	7.5	52.0	20	10.0	1.35
3/8" x 13	11.0	25.0	7.5	49.5		10.0	1.35
3/8" x 16	13.5	33.0	10.0	63.0	20	10.0	1.56
1/2" x 10	13.0	22.5	6.0	52.5		14.0	1.40
1/2" x 12	14.5	27.0	7.5	58.0		14.0	1.40
1/2" x 13	11.5	25.5	8.0	52.0	22	14.0	1.40
1/2" x 16	13.5	33.0	10.0	62.5	20	14.0	1.58
1/2" x 19	14.5	30.5	14.5	64.5		14.0	1.74
1/2" x 20	13.5	33.0	15.0	63.0	24	15.0	1.74
3/4" x 10	14.5	22.0	6.0	50.0	19	19.0	1.51
3/4" x 12	14.5	27.0	7.5	56.0	19	19.0	1.51
3/4" x 13	14.5	25.0	8.0	57.5	27	18.0	1.51
3/4" x 16	14.5	33.0	11.0	63.5	20	19.0	1.72
3/4" x 20	14.5	33.0	15.0	64.0	24	19.0	1.76
3/4" x 22	16.0	33.5	16.0	68.0		18.0	1.88
3/4" x 25	14.5	36.0	20.0	69.5	30	19.5	1.88
1" x 20	14.5	33.0	14.5	65.0	24	24.0	2.04
1" x 25	14.5	37.0	20.0	69.0	30	24.0	2.06
1" x 30	14.5	35.0	24.5	72.5	37	24.0	2.31
1" x 32	14.5	43.0	26.0	73.0	37	25.0	2.39
1 1/4" x 25	15.0	37.0	20.0	70.0	30	32.0	2.87
1 1/4" x 30	15.0	38.0	25.0	74.0	32	32.0	3.23
1 1/4" x 32	15.0	43.0	26.5	77.5	32	32.0	3.55
1 1/4" x 35	15.5	43.0	29.0	77.5	35	32.5	3.69
1 1/4" x 38	15.5	42.5	32.0	82.0	40	32.5	4.17
1 1/4" x 40	15.5	43.0	34.0	82.0	40	32.5	4.17
1 1/2" x 38	16.0	43.0	32.0	82.0	40	38.5	4.57
1 1/2" x 40	16.0	44.0	34.0	82.0	40	38.0	4.57
1 1/2" x 50	16.0	43.0	43.5	86.0	50	38.5	5.14
2" x 50	16.5	43.0	43.0	86.0	50	48.5	6.38
2" x 60	16.5	47.0	52.0	89.0	60	50.5	9.15



ADM

KUNSTSTOF SLANGKOPPELINGEN  
EMBOUTS CANNELES EN MATIERES PLASTIQUES  
HOSE NOZZLES

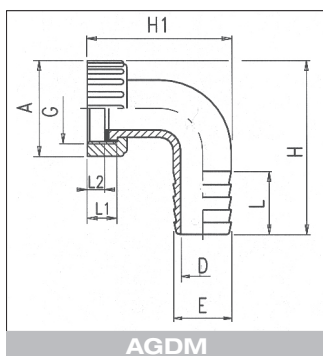
PP slangpilaar met binnenschroefdraad en losdraaiende wartel. Dichting EPDM  
Alleen voor gebruik met water (H<sub>2</sub>O)  
**Opmerking** : ook verkrijgbaar in PA uitvoering.

Embout cannelé en PP à filetage intérieur et écrou libre. Joint en EPDM  
Uniquement pour l'eau (H<sub>2</sub>O)  
**Remarque** : également disponible en PA.

PP hose coupling with interior thread and free union nut. EPDM gasket  
Only for use with water (H<sub>2</sub>O)  
**Remark** : also available in PA.

G x E	L <sup>1</sup>	L <sup>2</sup>	L	D	H	A	€/ST/PC
1/4" x 7	13.5	8.5	12.0	4.0	38.0	20.0	2.13
3/8" x 9	15.0	9.5	22.0	5.0	47.0	23.0	2.34
3/8" x 10	15.0	10.0	22.0	6.0	45.0	23.0	2.34
3/8" x 12	15.0	9.5	27.0	7.5	47.5	23.0	2.34
1/2" x 10	10		28.0	8.0	50.0	28.0	2.64
1/2" x 13	16.0	9.5	28.5	8.5	52.0	27.5	2.64
1/2" x 16	16.0	9.5	33.0	10.0	61.5	27.5	2.78
3/4" x 10	17.0	11.5	22.0	6.0	47.0	33.0	2.82
3/4" x 12	17.0	11.0	27.0	7.5	53.5	33.0	2.82
3/4" x 13	17.0	11.5	28.0	8.5	53.0	33.0	2.82
3/4" x 16	17.0	11.0	33.0	10.0	62.5	33.0	2.86
3/4" x 19	17.0	11.0	33.0	14.5	62.5	33.0	3.02
3/4" x 20	17.0	10.5	33.0	14.5	63.5	33.0	3.02
1" x 19	11.5		32.5	14.5	57.0	42.5	3.28
1" x 20	18.0	11.5	33.0	14.5	65.0	41.5	3.28
1" x 22	18.0	11.5	37.0	16.5	69.0	41.5	3.28
1" x 25	18.0	12.0	36.0	20.0	69.0	41.5	3.33
1 1/4" x 20	19.0	11.0	33.0	14.5	65.0	51.0	4.08
1 1/4" x 25	19.0	11.5	36.0	20.0	69.0	51.0	4.09
1 1/4" x 30	19.0	11.5	35.0	24.5	72.5	51.0	4.65
1 1/4" x 32	19.0	12.0	43.0	26.0	73.0	51.0	4.65
1 1/2" x 38	12.0		43.0	32.0	81.0	57.0	5.98
1 1/2" x 40	19.0	12.0	43.0	33.5	82.0	57.0	5.89
2" x 50	18.5	11.5	43.0	43.0	84.0	71.0	7.88





KUNSTSTOF SLANGKOPPELINGEN  
EMBOUTS CANNELES EN MATIERES PLASTIQUES  
HOSE NOZZLES

Gebogen PP slangpilaar met binnenschroefdraad en losdraaiende wartel. Eveneens leverbaar met driedelige koppeling. Dichting in EPDM. Alleen voor gebruik met water (H<sub>2</sub>O)

**Opmerking** : ook verkrijgbaar in PA uitvoering.

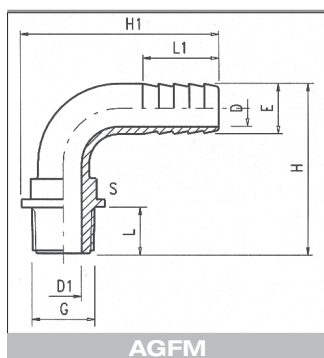
Embout cannelé courbé en PP à filetage intérieur et écrou libre. Aussi livrable avec raccord union. Joint en EPDM. Uniquement pour l'eau (H<sub>2</sub>O).

**Remarque** : également disponible en PA.

Curved PP hose coupling with interior thread and free nut. Also available with socket union coupling. EPDM gasket. Only for use with water (H<sub>2</sub>O)

**Remark** : also available in PA.

G x E	L <sup>1</sup>	L <sup>2</sup>	L	D	H	H <sup>1</sup>	A	€/ST/PC
1/2" x 10		10.5	30	7.0	58	49	27.5	3.88
1/2" x 12	16.0	10.5	30	7.0	58	50	27.5	3.88
3/4" x 12	17.0	12.0	30	7.0	61	50	33.0	4.22
3/4" x 16	12.5	7.0	30	11.0	62	48	33.0	4.40
3/4" x 19		8.0	33	11.0	73	56	33.0	4.57
3/4" x 20	12.5	7.0	33	15.0	73	56	33.0	4.57
1" x 22	15.5	10.0	30	17.0	81	60	40.5	5.21
1" x 25	15.5	10.0	30	19.5	82	61	40.5	5.21
1 1/4" x 25	19.0	12.0	30	19.5	87	64	51.0	5.98
1 1/4" x 30	19.0	11.5	28	24.5	94	72	51.0	6.39
1 1/4" x 32	19.0	11.5	32	24.5	94	73	51.0	6.53
1 1/2" x 38		11.5	35	33.0	106	90	57.5	5.73
1 1/2" x 40	19.0	11.5	35	33.0	103	95	57.0	9.56
2" x 50	18.5	12.0	35	42.0	120	97	71.0	12.50



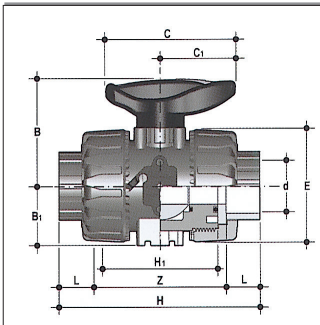
KUNSTSTOF SLANGKOPPELINGEN  
EMBOUTS CANNELES EN MATIERES PLASTIQUES  
HOSE NOZZLES

Gebogen PP slangpilaar met buitenschroefdraad. Alleen voor gebruik met water (H<sub>2</sub>O)  
**Opmerking** : ook verkrijgbaar in PA uitvoering.

Embout cannelé courbé en PP à filetage extérieur. Uniquement pour l'eau (H<sub>2</sub>O).  
**Remarque** : également disponible en PA.

Curved PP hose coupling with exterior thread. Only for use with water (H<sub>2</sub>O)  
**Remark** : also available in PA.

G x E	L <sup>1</sup>	L	D	H	HI	S	DI	€/ST/PC
3/8 " x 10								2.43
3/8" x 12	12.5	30	7.0	43.0	55	15	10.0	2.43
3/8" x 13								2.43
1/2" x 12	13.5	30	7.0	44.0	57	19	14.0	2.59
1/2" x 13	13.5	30	7.0	44.5	57	19	14.0	2.59
1/2" x 16	13.5	30	11.0	47.0	57	19	14.0	2.78
1/2" x 20	13.5	33	15.0	61.0	70	24	15.5	3.02
1/4" x 10								2.27
1/4" x 12								2.27
3/4" x 12	14.5	30	7.0	45.0	60	19	19.0	2.78
3/4" x 20	14.5	33	15.0	64.0	72	24	19.0	2.98
3/4" x 22	14.5	30	17.0	62.0	78	30	20.0	3.55
3/4" x 25	14.5	30	19.5	64.0	78	30	20.0	3.55
1" x 22	14.5	30	17.0	65.0	80	30	21.0	3.57
1" x 25	14.5	30	19.5	66.0	81	30	19.5	3.57
1" x 30	14.5	28	24.5	68.0	87	37	24.5	4.36
1" x 32	14.5	32	24.5	69.0	87	37	24.5	4.57
1 1/4" x 30	15.5	28	24.5	73.0	91	32	32.5	4.65
1 1/4" x 32	15.5	32	24.5	74.0	91	32	32.5	4.75
1 1/4" x 38								5.21
1 1/2" x 38								5.53
1 1/2" x 40	15.0	35	33.0	85.0	102	40	38.5	5.53



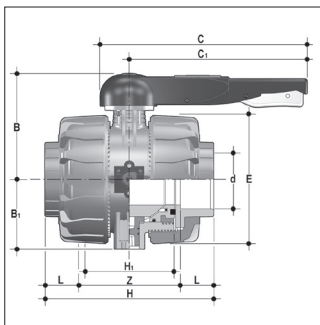
VKDIM DN 10-50

 KOGELKRANEN  
VANNES A BILLE  
BALL VALVES

2-Wegkogelafsluiter, Dual Block® met metrische Inwendige lasuiteinden.  
Zittingen PTFE/EPDM, PTFE/FPM.

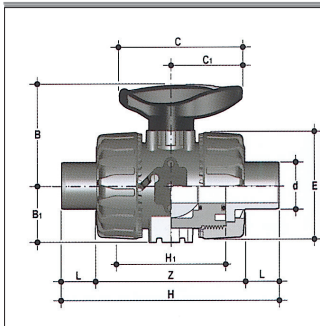
Robinets à bille Dual Block® tournant sphérique à 2 voies. Avec bouts femelles à souder.  
Sièges PTFE/EPDM, PTFE/FPM.

2-Way ball valve Dual Block® with lockable nuts, metric series plain female ends for welding  
sockets.. Seats PTFE/EPDM, PTFE/FPM.



VKDIM DN 65-100

D	DN	Z	H	H1	E	B	B1	C	C1	PN	G/ST/PC	€/ST/PC	
												EPDM	FPM
16	10	74.5	102	65	54	54.0	29.0	67	40	10	150	53.36	66.33
20	15	73.0	102	65	54	54.0	29.0	67	40	10	145	54.98	66.33
25	20	82.0	114	70	65	65.0	34.5	85	49	10	218	64.88	76.88
32	25	90.0	126	78	73	69.5	39.0	85	49	10	298	80.16	98.05
40	32	100.0	141	85	86	82.5	46.0	108	64	10	480	99.36	119.31
50	40	117.0	164	93	98	89.0	52.0	108	64	10	682	128.56	151.65
63	50	144.0	199	111	122	108.0	62.0	134	76	10	1166	160.26	202.68
75	65	147.0	213	133	162	164.0	87.0	327	272	10	3090	351.39	443.04
90	80	168.0	239	149	202	177.0	105.0	327	272	10	5080	441.68	556.92
110	100	186.0	268	167	236	195.0	129.0	385	330	10	7725	534.75	649.95



VKDDM DN 15-50

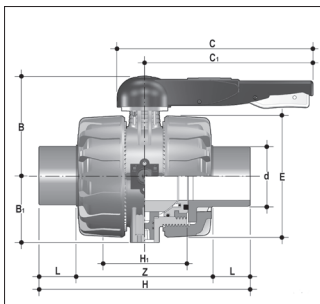
 KOGELKRANEN  
VANNES A BILLE  
BALL VALVES

2-Wegkogelafsluiter, Dual Block® met metrische mannelijke lasuiteinden.  
Zittingen PTFE/EPDM, PTFE/FPM.

Robinetts à bille Dual Block® tournant sphérique à 2 voies. Avec embouts mâles à souder.  
Sièges PTFE/EPDM, PTFE/FPM.

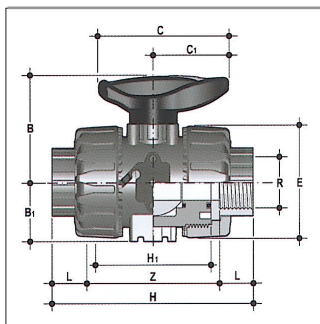
2-Way ball valve Dual Block® with lockable nuts, metric series plain male ends for welding sockets.

Seats PTFE/EPDM, PTFE/FPM.



VKDDM DN 65-100

D	DN	L	H	H1	E	B	B1	C	C1	PN	G/ST/PC	€/ST/PC	
												EPDM	FPM
20	15	16	124	65	54	54.0	29.0	67	40	10	153	54.98	64.40
25	20	19	144	70	65	65.0	34.5	85	49	10	222	63.00	74.66
32	25	22	154	78	73	69.5	39.0	85	49	10	303	77.84	95.19
40	32	26	174	88	86	82.5	46.0	108	64	10	485	96.47	115.82
50	40	31	194	93	98	89.0	52.0	108	64	10	672	124.82	147.23
63	50	38	224	111	122	108.0	62.0	134	76	10	1176	155.61	197.13
75	65	44	284	133	162	164.0	87.0	327	272	10	3190	351.39	443.04
90	80	51	300	149	202	177.0	105.0	327	272	10	5280	441.68	556.92
110	100	61	340	167	236	195.0	129.0	385	330	10	8010	534.71	649.95



VKDFM

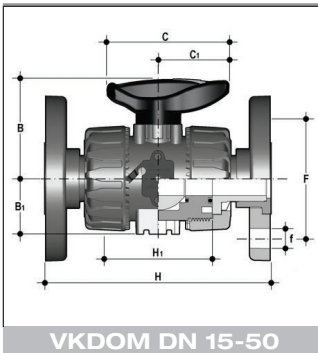
 KOGELKRANEN  
VANNES A BILLE  
BALL VALVES

2-Wegkogelafsluiter, Dual Block® met vrouwelijke BS draadaansluitingen. NPT op aanvraag.  
Zittingen PTFE/EPDM, PTFE/FPM

Robinetts à bille Dual Block® avec embouts femelles taraudés BS. NPT sur demande  
Sièges PTFE/EPDM, PTFE/FPM.

2-Way ball valve Dual Block® with BS parallel threaded female ends. NPT on request.  
Seats PTFE/EPDM, PTFE/FPM

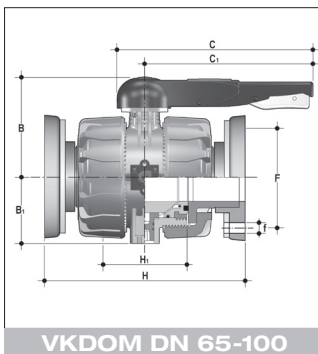
R	DN	L	Z	H	H1	E	B	B1	C	C1	PN	G/ST/PC	€/ST/PC	
													EPDM	FPM
1/2"	15	15.0	80.0	110	65	54	54.0	29.0	67	40	10	145	63.00	74.65
3/4"	20	16.3	83.4	116	70	65	65.0	34.5	85	49	10	220	72.86	83.00
1"	25	19.1	95.8	134	78	73	69.5	39.0	85	49	10	298	100.38	113.17
1 1/4"	32	21.4	110.2	153	88	86	82.5	46.0	108	64	10	488	106.72	128.63
1 1/2"	40	21.4	113.2	156	93	98	89.0	52.0	108	64	10	682	137.61	160.77
2"	50	25.7	134.6	186	111	122	108.0	62.0	134	76	10	1181	176.31	218.69


 KOGELKRANEN  
VANNES A BILLE  
BALL VALVES

2-Wegkogelafsluiter, Dual Block® met DIN 8063, DIN 2501 vaste flenzen.  
Inbouwlengte volgens EN 558-1.

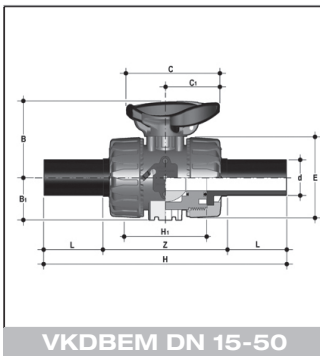
Robinets à bille Dual Block® avec brides fixes DIN 8063, DIN 2501.  
Encombrement selon EN 558-1.

2-Way ball valve Dual Block® with DIN 8063, DIN 2501 fixed backing rings.  
Face to face according EN 558-1.



D	DN	H	H1	B	B1	C	C1	F	f	U	PN	G/ST/PC	€/ST/PC	
													EPDM	FPM
20	15	130	65	54.0	29.0	67	40	65	14	4	10	387	107.65	124.36
25	20	150	70	65.0	34.5	85	49	75	14	4	10	504	126.49	143.18
32	25	160	78	69.5	39.0	85	49	85	14	4	10	697	162.86	182.92
40	32	180	88	82.5	46.0	108	64	100	18	4	10	1075	206.35	232.95
50	40	200	93	89.0	52.0	108	64	110	18	4	10	1346	244.75	309.64
63	50	230	111	108.0	62.0	134	76	134	18	4	10	2060	313.92	349.98
75	65	290	133	164.0	87.0	327	272	145	17	4	10	4500	480.86	573.81
90	80	310	149	177.0	105.0	327	272	160	17	8	10	6455	604.45	721.22
110	100	350	167	195.0	129.0	385	330	180	17	8	10	9090	731.77	862.18

Aansluiting volgens ANSI op aanvraag.  
Raccordement selon ANSI sur demande.  
Connection acc. to ANSI on request.

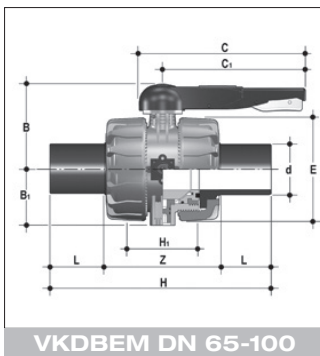


KOGELKRANEN  
VANNES A BILLE  
BALL VALVES

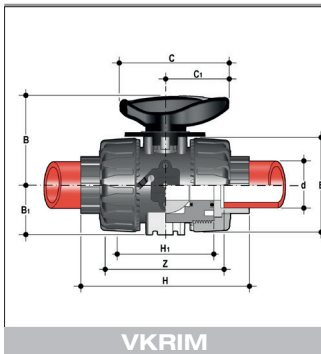
2-Wegkogelafsluiter, Dual Block® met mannelijke lasuiteinden PE-HD  
Zittingen PTFE/EPDM, PTFE/FPM.

Robinets à bille Dual Block® tournant sphérique à 2 voies. Avec embouts mâles à souder en PE-HD. Sièges PTFE/EPDM, PTFE/FPM.

2-Way ball valve Dual Block® with male ends for welding sockets on PE-HD  
Seats PTFE/EPDM, PTFE/FPM.



D	DN	L	H	H1	E	B	B1	C	C1	PN	G/ST/PC	€/ST/PC	
												EPDM	FPM
20	15	41	174	65	54	54.0	29.0	67	40	10	153	59.20	70.71
25	20	52	209	70	65	65.0	34.5	85	49	10	222	69.54	83.00
32	25	55	221	78	73	69.5	39.0	85	49	10	303	84.28	104.15
40	32	56	241	88	86	82.5	46.0	108	64	10	485	105.54	128.63
50	40	58	260	93	98	89.0	52.0	108	64	10	672	139.25	162.05
63	50	66	293	111	122	108.0	62.0	134	76	10	1176	169.78	217.31
75	65	71	356	133	162	164	87	327	272	10	3190	389.78	482.30
90	80	88	390	149	202	177	105	327	272	10	5280	486.13	607.02
110	100	92	431	167	236	195	129	385	330	10	8010	587.44	702.62



VKRIM

2 WEG KOGELKRANEN VOOR LINEAIRE DEBIETREGELING  
VANNES A BILLE A 3 VOIES POUR REGULATION LINEAIRE DU DEBIT  
2 WAY BALL VALVES FOR LINEAR FLOW CONTROL

Vrouwelijke lasmof.

Volledig uitwisselbaar met kogelkransen type VK Dual Block®.

Bereik: 0-90° / monodirectioneel. Met schaalverdeling per 5°

Op aanvraag: elektrisch met posi 4-20mA / pneumatisch met klepstandsteller 4-20mA.

Bouts femelles à souder.

Complètement interchangeable avec les robinets à bille VK Dual Block®.

Portée: 0-90° / mono directionnel. Graduation visuelle par 5°.

Sur demande: actuateur électrique avec Posi 4-20mA / actuateur pneumatique avec positionneur 4-20mA.

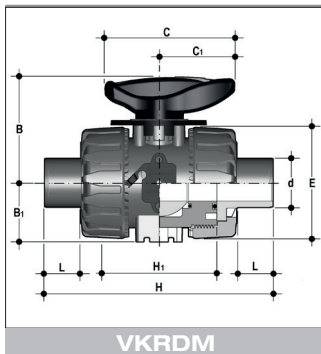
Spigots for socket welding.

Complete interchangeability with VK Dual Block® series.

Range of use: 0-90° / unidirectional flow. Accuracy of the reading position 5°.

On request: electric actuator with Posi card 4-20mA / pneumatic actuator with positioner 4-20mA.

D	DN	PN	B	B <sub>1</sub>	C	C <sub>1</sub>	E	H <sub>1</sub>	L	Z	H	G/ST/PC	€/ST/PC	
													EPDM	FPM
16	10	10	54.0	29.0	67	40	54	65	14.0	74.5	102	150	181.28	190.49
20	15	10	54.0	29.0	67	40	54	65	14.5	73.0	102	145	181.42	190.55
25	20	10	65.0	34.5	85	49	65	70	16.0	82.0	114	218	201.05	210.71
32	25	10	69.5	39.0	85	49	73	78	18.0	90.0	126	298	236.98	251.43
40	32	10	82.5	46.0	108	64	86	88	20.5	100.0	141	480	265.53	281.68
50	40	10	89.0	52.0	108	64	98	93	23.5	117.0	164	682	329.57	348.25
63	50	10	108.0	62.0	134	76	122	111	27.5	144.0	199	1166	350.74	385.04



VKRDM

2 WEG KOGELKRANEN VOOR LINEAIRE DEBIETREGELING  
VANNES A BILLE A 3 VOIES POUR REGULATION LINEAIRE DU DEBIT  
2 WAY BALL VALVES FOR LINEAR FLOW CONTROL

Mannelijke lasmof.

Volledig uitwisselbaar met kogelkransen type VK Dual Block®.

Bereik: 0-90° / monodirectioneel. Met schaalverdeling per 5°

Op aanvraag: elektrisch met posi 4-20mA / pneumatisch met klepstandsteller 4-20mA.

Bouts mâles à souder.

Complètement interchangeable avec les robinets à bille VK Dual Block®.

Portée: 0-90° / mono directionnel. Graduation visuelle par 5°.

Sur demande: actuateur électrique avec Posi 4-20mA / actuateur pneumatique avec positionneur 4-20mA.

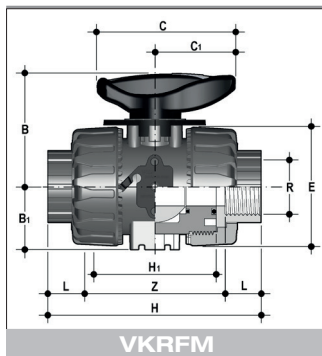
Spigots for socket welding.

Complete interchangeability with VK Dual Block® series.

Range of use: 0-90° / unidirectional flow. Accuracy of the reading position 5°.

On request: electric actuator with Posi card 4-20mA / pneumatic actuator with positioner 4-20mA.

D	DN	PN	B	B <sub>1</sub>	C	C <sub>1</sub>	E	H <sub>1</sub>	H	L	G/ST/PC	€/ST/PC	
												EPDM	FPM
16	10	10	54.0	29.0	67	40	54	-	-	-	-	181.28	190.49
20	15	10	54.0	29.0	67	40	54	65	124	16	153	181.42	190.55
25	20	10	65.0	34.5	85	49	65	70	144	18	222	201.05	210.71
32	25	10	69.5	39.0	85	49	73	78	154	20	303	236.98	251.43
40	32	10	82.5	46.0	108	64	86	88	174	22	485	265.53	281.68
50	40	10	89.0	52.0	108	64	98	93	194	23	672	329.57	348.25
63	50	10	108.0	62.0	134	76	122	111	224	29	1176	350.74	385.04



VKRFM

2 WEG KOGELKRANEN VOOR LINEAIRE DEBIETREGELING  
VANNES A BILLE A 3 VOIES POUR REGULATION LINEAIRE DU DEBIT  
2 WAY BALL VALVES FOR LINEAR FLOW CONTROL

Inwendige draadaansluiting BS.

Volledig uitwisselbaar met kogelkransen type VK Dual Block.

Bereik: 0-90° / monodirectioneel. Met schaalverdeling per 5°

Op aanvraag: elektrisch met posi 4-20mA / pneumatisch met klepstandsteller 4-20mA.

Bouts femelles filletés BS.

Complètement interchangeable avec les robinets à bille VK Dual Block.

Portée: 0-90° / mono directionnel. Graduation visuelle par 5°.

Sur demande: actuateur électrique avec Posi 4-20mA / actuateur pneumatique avec positionneur 4-20mA.

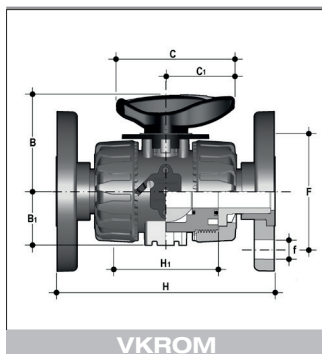
BS parallel treaded sockets.

Complete interchangeability with VK Dual Block series.

Range of use: 0-90° / unidirectional flow. Accuracy of the reading position 5°.

On request: electric actuator with Posi card 4-20mA / pneumatic actuator with positioner 4-20mA.

R	DN	PN	B	B <sub>1</sub>	C	C <sub>1</sub>	E	H	H <sub>1</sub>	L	Z	G/ST/PC	€/ST/PC	
													EPDM	FPM
3/8"	10	10	54.0	29.0	67	40	54	103	65	-	-	-	189.42	199.09
1/2"	15	10	54.0	29.0	67	40	54	110	65	15	80	145	189.42	199.09
3/4"	20	10	65.0	34.5	85	49	65	116	70	16	83	220	207.45	217.65
1"	25	10	69.5	39.0	85	49	73	134	78	19	96	298	255.71	266.40
1 1/4"	32	10	82.5	46.0	108	64	86	153	88	21	110	488	274.09	292.31
1 1/2"	40	10	89.0	52.0	108	64	98	156	93	21	113	682	340.21	359.49
2"	50	10	108.0	62.0	134	76	122	186	111	26	135	1181	367.94	403.28



VKROM

2 WEG KOGELKRANEN VOOR LINEAIRE DEBIETREGELING  
VANNES A BILLE A 3 VOIES POUR REGULATION LINEAIRE DU DEBIT  
2 WAY BALL VALVES FOR LINEAR FLOW CONTROL

Volledig uitwisselbaar met kogelkransen type VK Dual Block® met DIN 8063, DIN 2501 vaste flenzen. Inbouwlengthe volgens EN 558-1.

Bereik: 0-90° / monodirectioneel. Met schaalverdeling per 5°

Op aanvraag: elektrisch met posi 4-20mA / pneumatisch met klepstandsteller 4-20mA.

Complètement interchangeable avec les robinets à bille VK Dual Block® avec brides fixes DIN 8063, DIN 2501. Encombrement selon EN 558-1.

Portée: 0-90° / mono directionnel. Graduation visuelle par 5°.

Sur demande: actuateur électrique avec Posi 4-20mA / actuateur pneumatique avec positionneur 4-20mA.

Complete interchangeability with VK Dual Block® with DIN 8063, DIN 2501 fixed backing rings.

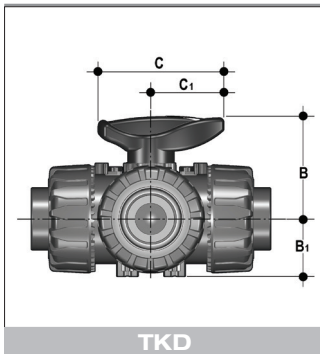
Face to face according EN 558-1.

Range of use: 0-90° / unidirectional flow. Accuracy of the reading position 5°.

On request: electric actuator with Posi card 4-20mA / pneumatic actuator with positioner 4-20mA.

D	DN	PN	B	B <sub>1</sub>	C	C <sub>1</sub>	F	H	H <sub>1</sub>	U	f	Sp	G/ST/PC	€/ST/PC	
														EPDM	FPM
20	15	10	54.0	29.0	67	40	65	130	65	4	14	11	387	226.55	240.41
25	20	10	65.0	34.5	85	49	75	150	70	4	14	14	504	253.79	267.74
32	25	10	69.5	39.0	85	49	85	160	78	4	14	14	697	303.80	324.42
40	32	10	82.5	46.0	108	64	100	180	88	4	18	14	1075	356.99	379.10
50	40	10	89.0	52.0	108	64	110	200	93	4	18	16	1346	429.37	445.40
63	50	10	108.0	62.0	134	76	125	230	111	4	18	16	2060	472.42	512.49





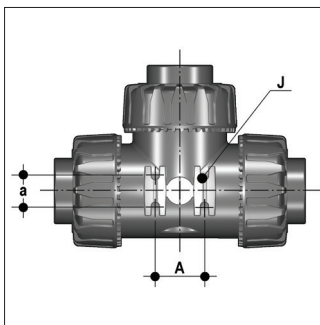
TKD

 3 WEG KOGELKRANEN  
VANNES A BILLE A 3 VOIES  
3 WAY BALL VALVES

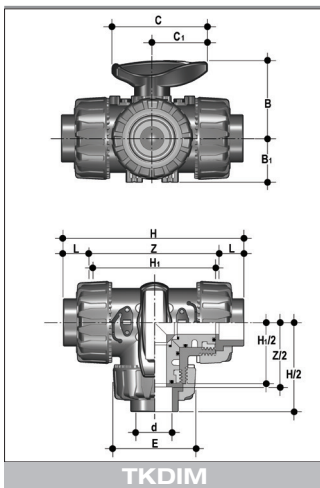
Radiaal demonteerbaar PN 10.  
Veiligheidsslot in uitstroomrichting met de afsluiter onder druk. Blokkeringsmogelijkheid (elke 45°) met safety block systeem.

Démontable radialement PN 10.  
Poignée avec blocage de sécurité verrouillable tous les 45°.

Radial disassembling PN 10.  
Handle stop device every 45° with safety block system.



D	DN	B	B <sub>1</sub>	C	C <sub>1</sub>	a	A	J
20	15	54	29	67	40	20	31	M5
25	20	65	35	85	49	20	31	M5
32	25	70	39	85	49	20	31	M5
40	32	83	46	108	64	30	50	M6
50	40	89	52	108	64	30	50	M6
63	50	108	62	134	76	30	50	M6



TKDIM

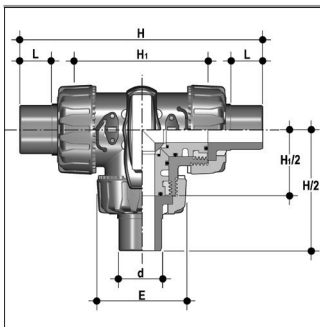
 3 WEG KOGELKRANEN  
VANNES A BILLE A 3 VOIES  
3 WAY BALL VALVES

## PN 10

Moflasaanluiting, T-boring  
Bouts femelles à souder, perçage-T  
Welding sockets, T-bore

d	DN	E	H	H <sub>1</sub>	Z	G/ST/PC	€/ST/PC	
							EPDM	FPM
20	15	54	117	80	88	195	124.68	145.13
25	20	65	144	100	112	350	144.60	165.96
32	25	73	158	110	122	505	185.51	212.95
40	32	86	184	131	143	820	212.18	246.33
50	40	98	219	148	172	1070	252.66	308.80
63	50	122	267	179	212	1795	319.54	388.75

L-boring: prijzen + 17%  
Perçage L: prix + 17%  
L-bore: prices + 17%



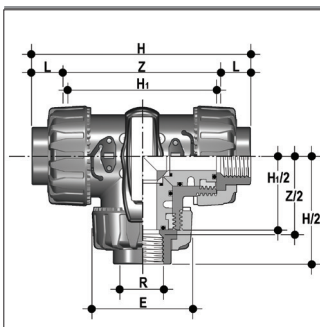
TKDDM

 3 WEG KOGELKRANEN  
VANNES A BILLE A 3 VOIES  
3 WAY BALL VALVES

PN 10

 Mannelijke lasmof, T-boring  
Bouts mâles à souder, perçage-T  
Spigots for socket welding, T-bore

d	DN	E	H	H1	L	G/ST/PC	€/ST/PC	
							EPDM	FPM
20	15	54	140	80	16	205	143.18	159.94
25	20	65	175	100	19	360	161.24	182.89
32	25	73	188	110	22	515	206.84	234.74
40	32	86	220	131	26	835	236.58	274.69
50	40	98	251	148	31	1100	281.76	344.37
63	50	122	294	179	38	1830	356.33	435.50

 L-boring: prijzen + 17%  
Perçage L: prix + 17%  
L-bore: prices + 17%


TKDFM

 3 WEG KOGELKRANEN  
VANNES A BILLE A 3 VOIES  
3 WAY BALL VALVES

PN 10

 Inwendige draadaansluiting, BS, T-boring.  
Bouts femelles filetés, BS, perçage-T.  
BS parallel threaded sockets, BS, T-bore.

d	DN	E	H	H1	L	Z	g	€/ST/PC	
								EPDM	FPM
1/2"	15	55	125.0	80	15.0	95	235	140.24	156.69
3/4"	20	66	146.0	100	16.3	114	400	157.98	179.17
1"	25	75	166.0	110	19.1	129	565	202.62	229.92
1 1/4"	32	87	195.5	131	21.4	151	895	231.77	269.11
1 1/2"	40	100	211.0	148	21.4	166	1160	275.99	337.33
2"	50	122	253.5	179	25.7	199	1945	349.06	426.61

 L-boring: prijzen + 17%  
Perçage L: prix + 17%  
L-bore: prices + 17%

VLINDERKLEPPEN - HANDBEDIEND FKOM  
 VANNES PAPILLON - AVEC POIGNEE FKOM  
 BUTTERFLY VALVES - HAND OPERATED FKOM

**Afmetingen / dimensions / overall dimensions:**

ISO 5752 (DN 40-200 medium seri 25, DN 250-3000 long serie 16)  
 DIN 3202 (DN 65-200 K2, DN 250-300 K3)

**Materialen / matériaux / materials:**

Lichaam / corps / body: PP-GR  
 Klepblad / papillon / disc: PP-H  
 Axe / axe / stem: RVS AISI 420 (AISI 316 op aanvraag / sur demande / on request)  
 Zitting / siège / liner: FPM (EPDM, NBR op aanvraag / sur demande / on request)

**Wafer type:**

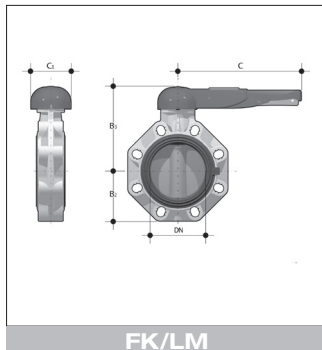
Tussen flenzen / entre brides / between flanges:  
 EN ISO 1452, EN ISO 15493, DIN 2501, ISO 7005-1, EN 1092-1, ASTM B16.5 Cl. 150

**Opmerking / remarque / remark:**

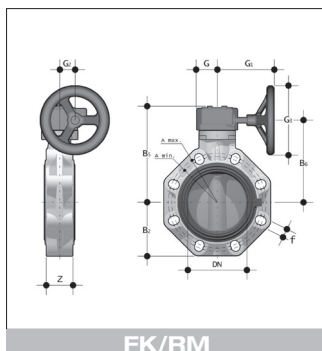
Alvorens vlinderkleppen te monteren, is het aan te raden eerst de binnendiameter van de kragen te controleren. Bij bepaalde diameters kan een aanpassing van de kragen noodzakelijk zijn.

Avant d'effectuer l'installation de vannes papillons, il est conseillé de vérifier le diamètre intérieur des collets. En certains cas, il est nécessaire de chamfreiner.

Before installing butterfly valves, it is advisable to check the internal diameter of the stubs. For certain dimensions, it is necessary to chamfer the stubs.


**FK/LM**

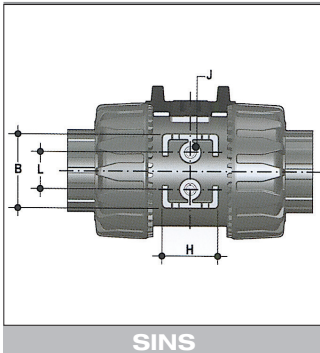
d	DN	PN	B <sup>2</sup>	B <sup>3</sup>	C	C <sup>1</sup>	Z	G	U	€/ST/PC	
										ST/PC	EPDM
50	40	10	60	137	175	100	33	900	4	232.04	342.64
63	50	10	70	143	175	100	43	1080	4	245.70	366.26
75	65	10	80	164	272	110	46	1470	4	273.01	406.99
90	80	10	93	178	272	110	49	1870	8	287.06	427.26
110	100	10	107	192	272	110	56	2220	8	311.73	456.73
140	125	10	120	212	330	110	64	3100	8	413.83	597.00
160	150	10	134	225	330	110	70	3850	8	447.37	637.17
225	200	10	161	272	420	122	71	6750	8	579.44	826.85


**FK/RM**

d	DN	PN	B <sup>2</sup>	B <sup>3</sup>	B <sup>6</sup>	G	G <sup>1</sup>	G <sup>2</sup>	G <sup>3</sup>	Z	G	U	€/ST/PC	
													ST/PC	EPDM
75	65	10	80	174	146	48	135	39	125	46	2400	4	626.97	781.70
90	80	10	93	188	160	48	135	39	125	49	2800	8	641.07	792.09
110	100	10	107	202	174	48	135	39	125	56	3150	8	665.69	822.10
140	125	10	120	222	194	48	144	39	200	64	4450	8	738.32	961.65
160	150	10	134	235	207	48	144	39	200	70	5200	8	801.29	1007.33
225	200	10	161	287	256	65	204	60	200	71	9300	8	1013.51	1281.58
280	250	10	210	317	281	88	236	76	250	114	18600	12	1912.79	3056.83
315	300	8	245	374	338	88	236	76	250	114	25600	12	2063.38	3329.89
355	350	7	280	438	390	88	361	80	300	129		16	4732.68	5257.68
400	400	6	306	438	390	88	361	80	300	169		16	5330.14	6588.23

**TYPE LUG:**

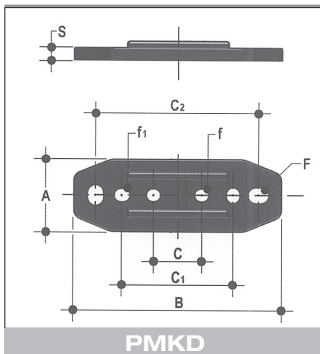
met draadogen (DIN 5202, ANSI B16.5 cl. 150) op aanvraag  
 avec oreilles taraudées (DIN 5202, ANSI B16.5 cl. 150) sur demande  
 with threaded holes (DIN 5202, ANSI B16.5 cl. 150) on request



SINS

DRAADBUSSEN  
BUSELURES  
THREADED INSERTS

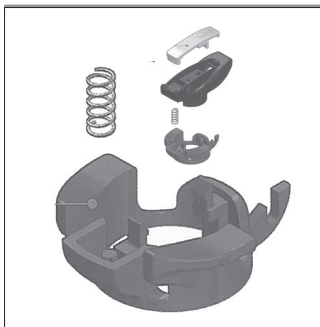
D	DN	B	H	L	J	€/ST/PC = 20 ST/PC	
						Messing Laiton Brass	RVS 316 Inox 316 SS 316
16	10	31.5	27	20	M4 x 6	14.93	82.29
20	15	31.5	27	20	M4 x 6	14.93	82.29
25	20	40.0	30	20	M4 x 6	14.93	82.29
32	25	40.0	30	20	M4 x 6	14.93	82.29
40	32	50.0	35	30	M6 x 10	17.95	91.03
50	40	50.0	35	30	M6 x 10	17.95	91.03
63	50	60.0	40	30	M6 x 10	17.95	91.03



PMKD

MONTAGEPLAAT  
PLATINE  
MOUNTING PLATE

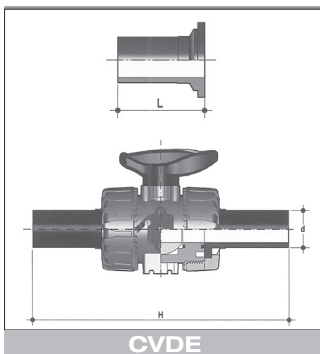
D	DN	A	B	C	C1	C2	F	f	f1	S	€/ST/PC
16	10	30	86	20	46	67.5	6.5	5.3	5.5	5	8.45
20	15	30	86	20	46	67.5	6.5	5.3	5.5	5	8.45
25	20	30	86	20	46	67.5	6.5	5.3	5.5	5	8.45
32	25	30	86	20	46	67.5	6.5	5.3	5.5	5	8.45
40	32	40	122	30	72	102.0	6.5	6.3	6.5	6	9.22
50	40	40	122	30	72	102.0	6.5	6.3	6.5	6	9.22
63	50	40	122	30	72	102.0	6.5	6.3	6.5	6	9.22



SHKD / 0-90°

KIT HANDVAT VERGREDELING  
KIT DE VERROUILLAGE  
HANDLE BLOCK KIT

D	€/ST/PC
16 - 20	16.11
25 - 32	17.99
40 - 50	20.80
63	22.32

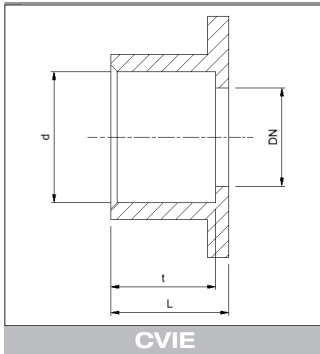


CVDE

HDPE 100 CONNECTOR VOOR STOMPLAS & ELECTROLAS  
CONNECT. HDPE 100 SOUDAGE BOUT A BOUT OU ELECTROSOUDAGE  
HDPE 100 END CONNECTOR FOR BUTT WELDING OR ELECTROFUSION

Voor / pour / for : VKD / TKD / SXE / RV / VV / VR

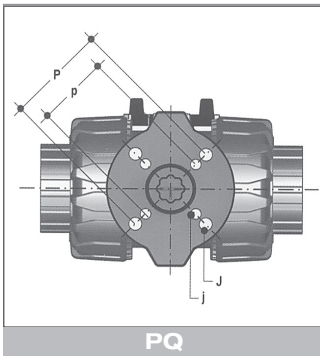
d	DN	L	H	€/ST/PC
20	15	55	175	3.21
25	20	70	210	3.27
32	25	74	226	3.29
40	32	78	243	5.14
50	40	84	261	6.10
63	50	91	293	8.68
75	65	110	356	24.37
90	80	118	390	31.68
110	100	130	431	36.81



HDPE 100 CONNECTOR VOOR MOFLAS  
 CONNECT. HDPE 100 POUR SOUDAGE A L'EMBOITURE  
 HDPE 100 END CONNECTOR FOR SOCKET WELDING

Voor / pour / for : VKD / TKD / SXE / RV / VV / VR / VKR / SSE / VEE

d	DN	L	t	€/ST/PC
20	15	18	16.0	8.63
25	20	22	17.0	9.20
32	25	25	19.5	9.69
40	32	28	22.0	10.27
50	40	34	25.0	11.58
63	50	43	29.0	19.76

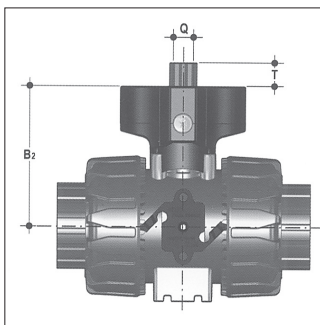


POWERQUICK

Opbouwmodule in PP-GVK geschikt voor VKD + TKD  
 Kit d'accouplement en PP-FRP pour VKD + TKD  
 Module for assembly in PP-FRP for VKD + TKD

d	DN	B2	T	p x j	P x J
16	10	58.0	16	F03 x 5.5	F04 x 5.5
20	15	58.0	16	F03 x 5.5	F04 x 5.5
25	20	73.5	16	F03 x 5.5	F05 x 6.5
32	25	74.0	16	F03 x 5.5	F05 x 6.5
40	32	97.0	16	F05 x 6.5	F07 x 8.5
50	40	104.0	16	F05 x 6.5	F07 x 8.5
63	50	114.0	16	F05 x 6.5	F07 x 8.5

\* F04 x 5.5 op aanvraag / sur demande / on request



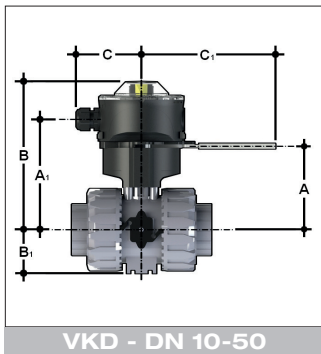
d	Actuators CP (FIP) + MSKD (FIP)*		Actuators CE (FIP)		Kit €/ST/PC
	ISO	SQUARE	ISO	SQUARE	
16 - 20	F03-04*	11	F03	14	62.45
25	F03-05*	11	F03	14	66.24
25	F04	11	F04	14	66.24
32	F03-05*	11	F03	14	66.24
32	F04	14	F04	14	66.24
40	F05-07*	14	F05	14	75.69
50	F05-07*	14	F05	14	75.69
63	F05-07*	14	F05	14	80.43



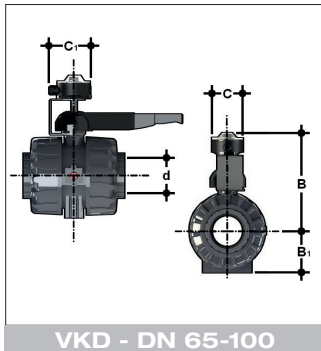
LSQT

MICROSWITCHBOX MET TERUGMELDINGEN  
BOITIER FIN DE COURSE  
LIMIT SWITCH BOX

Geschikt voor montage op VKD + TKD kogelkranen in combinatie met LSQTKIT montageset.  
Pour vannes à boule VKD + TKD montage par l'aide du kit de montage LSQTKIT.  
For VKD+TKD ballvalves, to be installed with LSQTKIT mounting kit.



VKD - DN 10-50

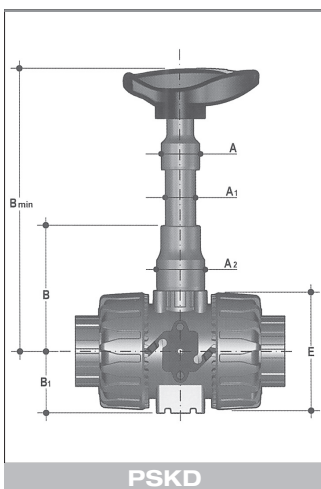


VKD - DN 65-100

D	DN	A	A1	B	B1	C	C1
16	10	60	91.5	137.0	29.0	76.5	157.5
20	15	60	91.5	137.0	29.0	76.5	157.5
25	20	71	102.5	148.0	34.5	76.5	157.5
32	25	76	107.5	153.0	39.0	76.5	157.5
40	32	93	124.5	170.0	46.0	76.5	157.5
50	40	99	130.5	176.0	52.0	76.5	157.5
63	50	116	147.5	193.0	62.0	76.5	157.5
75	65	-	-	275.0	87.0	103.0	126.9
90	80	-	-	286.7	105.0	103.0	126.9
110	100	-	-	305.5	129.0	103.0	126.9

d	€/ST/PC Montageset Kit de montage Mounting kit	€/ST/PC Electromechanisch Electromécanique Electro mechanical	€/ST/PC Inductief 3 draads PNP Inductif 3 fils PNP Inductive 3 wire PNP
16 - 20	LSQKIT020 81.72	LSQTMEC 284.23	LSQTPNP 484.45
25	LSQKIT025 86.65	LSQTMEC 284.23	LSQTPNP 484.45
32	LSQKIT032 86.65	LSQTMEC 284.23	LSQTPNP 484.45
40	LSQKIT040 99.07	LSQTMEC 284.23	LSQTPNP 484.45
50	LSQKIT050 99.07	LSQTMEC 284.23	LSQTPNP 484.45
63	LSQKIT063 105.25	LSQTMEC 284.23	LSQTPNP 484.45
75-90-110	LSKIT75160 195.44	LSQTMEC 284.23	LSQTPNP 484.45

Afsluiter niet incl., vanne non incl., valve not incl.



PSKD

VERLENGDE SPINDEL  
EXTENSION DE COMMANDE  
STEM EXTENSION

D	DN	A	A1	A2	E	B	B1	B min	€/ST/PC*
16	10	32	25	32	54	70.0	29.0	139.5	35.01
20	15	32	25	32	54	70.0	29.0	139.5	35.01
25	20	32	25	40	65	89.0	34.5	164.5	35.77
32	25	32	25	40	73	93.5	39.0	169.0	36.71
40	32	40	32	50	86	110.0	46.0	200.0	37.08
50	40	40	32	50	98	116.0	52.0	206.0	38.61
63	50	40	32	59	122	122.0	62.0	225.0	42.58

D75-90-110 op aanvraag / sur demande / on request

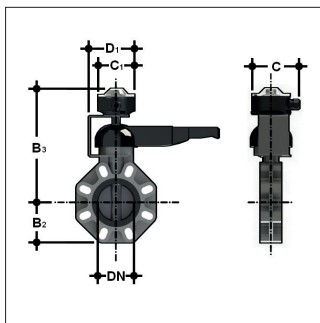
\* PVC buis niet inbegrepen, tuyau en PVC pas inclus, PVC pipe not included.



LSQT

MICROSWITCHBOX MET TERUGMELDINGEN  
BOITIER FIN DE COURSE  
LIMIT SWITCH BOX

Geschikt voor montage op FK vlinderkleppen in combinatie met LSQTKIT montageset.  
Pour vannes papillon FK montage par l'aide du kit de montage LSQTKIT.  
For FK butterfly valves, to be installed with LSQTKIT mounting kit.



FK - DN 40-200

D	B2	B3	C	C1	D1
40	60	260.5	126.9	103	123.5
50	70	266.5	126.9	103	123.5
65	80	273.5	126.9	103	123.5
80	93	287.5	126.9	103	123.5
100	107	301.5	126.9	103	123.5
125	120	321.5	126.9	103	123.5
150	134	334.5	126.9	103	123.5
200	161	385.0	126.9	103	129.8

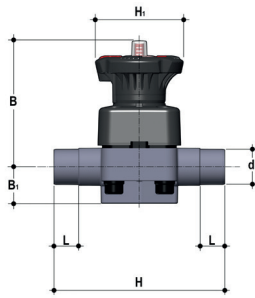
d	€/ST/PC Montageset Kit de montage Mounting kit	€/ST/PC Electromechanisch Electromécanique Electro mechanical	€/ST/PC Inductief 3 draads PNP Inductif 3 fils PNP Inductive 3 wire PNP
50-63	LSKITFK5063 145.15	LSQTMEC 284.23	LSQTPNP 484.45
75-160	LSKITF75160 195.44	LSQTMEC 284.23	LSQTPNP 484.45
225	LSKIT225 208.62	LSQTMEC 284.23	LSQTPNP 484.45

\*Afsluiting niet incl., vanne non incl., valve not incl.



Adaptor voor opbouw aandrijving (elektrisch / pneumatisch) ISO 5211  
Adapteur pour montage actuateur (electrique / pneumatique) ISO 5211  
Adaptor for mounting of actuator (electrical / pneumatic) ISO 5211

d 50 160 : 23.07 €/ST/PC  
d 225 : 28.08 €/ST/PC


**DKDM**

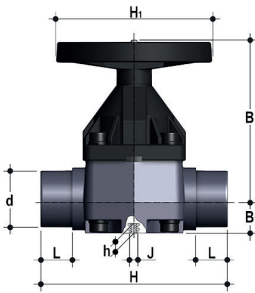
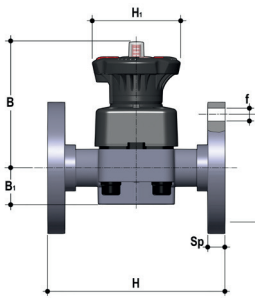
 MEMBRAANKRANEN  
VANNES A MEMBRANE  
DIAPHRAGM VALVES

**PN 10**

Uitwendige lasaansluiting.  
Bouts mâles pour soudage dans l'emboiture.  
Spigot welding.

D	DN	L	H	H <sub>1</sub>	B	B <sub>1</sub>	G/ST/PC	€/ST/PC		
								EPDM	FPM	PTFE
20	15	16	124	80	102	25	430	79.48	123.03	141.58
25	20	19	144	80	105	30	445	86.04	123.03	149.20
32	25	22	154	80	114	33	620	101.25	145.92	163.36
40	32	26	174	80	119	30	650	118.63	192.74	213.35
50	40	31	194	120	147	35	1380	154.57	227.01	249.30
63	50	38	224	120	172	46	2135	187.32	312.38	310.35
75	65	44	284	120	172	46	2225	406.11	761.04	571.63
* 90	80	51	300	215	225	55	7500	499.76	856.62	666.33
*110	100	-	350	250	295	55	15000	664.19	1256.04	863.54

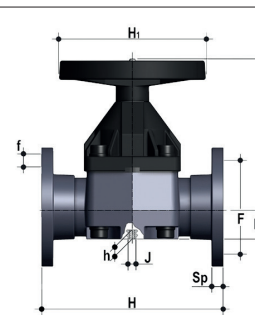
\* PTFE : PN 6 / TYPE VMDM


**VMDM - DN 80-100**

**DKOM**

 MEMBRAANKRANEN  
VANNES A MEMBRANE  
DIAPHRAGM VALVES

**PN 10**

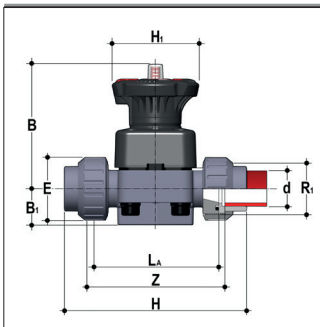
Flensaansluiting, vaste flenzen volgens DIN 2501.  
Raccordement à brides fixes, selon DIN 2501.  
Flanged connection with fixed backing rings DIN 2501.


**VMOM - DN 80-100**

\* PTFE : PN 6 / TYPE VMOM

D	DN	B	B <sub>1</sub>	H	H <sub>1</sub>	Sp	F	f	n	G/ST/PC	€/ST/PC		
											EPDM	FPM	PTFE
20	15	102	25	130	80	13.5	65	14	4	588	121.32	165.22	183.90
25	20	105	30	150	80	13.5	75	14	4	645	130.37	176.45	194.04
32	25	114	33	160	80	14.0	85	14	4	910	147.19	192.18	209.75
40	32	119	30	180	80	14.0	100	18	4	1110	179.09	253.78	274.52
50	40	147	35	200	120	16.0	110	18	4	1955	218.01	292.68	313.47
63	50	172	46	230	120	16.0	125	18	4	2905	275.10	401.29	399.27
75	65	225	55	290	120	21.0	145	18	4	3325	553.87	903.51	715.11
* 90	80	225	55	310	215	-	160	18	8	7500	673.25	1033.25	841.19
*110	100	295	69	350	250	-	180	18	8	11350	862.19	1459.19	1069.61





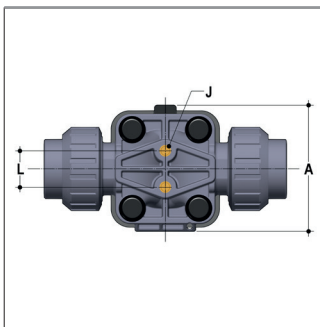
DKUIM

 MEMBRAANKRANEN  
VANNES A MEMBRANE  
DIAPHRAGM VALVES

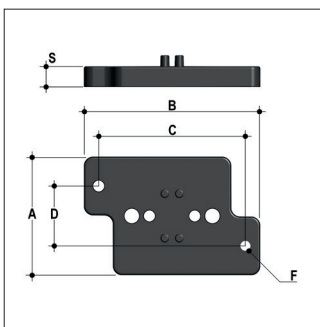
## PN 10

Aansluiting met driedelige koppelingen. Membraan in EPDM, FPM en PTFE.  
Raccordement à raccords-union. Membranen en EPDM, FPM et PTFE.  
Connection with socket unions. Diaphragm in EPDM, FPM and PTFE.

D	d	B	B <sub>1</sub>	E	H	H <sub>1</sub>	L <sub>A</sub>	R <sub>1</sub>	Z	G/ST/PC	€/ST/PC		
											EPDM	FPM	PTFE
20	15	102	25	41	128	80	90	1"	101	457	92.84	136.45	154.22
25	20	105	30	50	150	80	108	1 1/4"	119	500	99.37	145.19	162.63
32	25	114	33	58	163	80	116	1 1/2"	127	695	115.77	160.48	177.91
40	32	119	30	72	184	80	134	2"	145	781	134.35	208.55	229.25
50	40	147	35	79	210	120	154	2 1/4"	165	1526	172.00	244.55	265.24
63	50	172	46	98	248	120	184	2 3/4"	195	2410	210.69	336.20	334.07


 MONTAGEPLAAT  
PLATINE  
MOUNTING PLATE

D	DN	A	L	J
20	15	74	25.0	M6 x 10
25	20	74	25.0	M6 x 10
32	25	87	25.0	M6 x 10
40	32	87	25.0	M6 x 10
50	40	114	44.5	M8 x 14
63	50	136	44.5	M8 x 14
75	65	136	44.5	M8 x 14

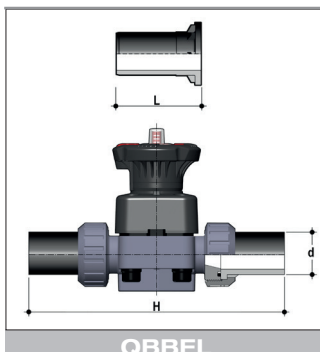


KIT PMDK

## KIT PMDK

D	DN	A	B	C	D	F	S	€/ST/PC
20	15	65	97	81	33	5.5	11	17.58
25	20	65	97	81	33	5.5	11	17.58
32	25	65	97	81	33	5.5	11	17.58
40	32	65	97	81	33	5.5	11	19.78
50	40	65	144	130	33	6.5	11	19.78
63	50	65	144	130	33	6.5	11	19.78
75	65	65	144	130	33	6.5	11	19.78

Inclusief 2 RVS schroeven / Inclusif 2 ecroux en inox / 2 stainless steel screws included

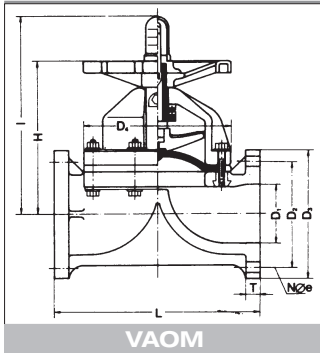


QBBEL

 HDPE 100 CONNECTOR VOOR STOMPLAS & ELECTROLAS  
CONNECT. HDPE 100 SOUDAGE BOUT A BOUT OU ELECTROSOUDAGE  
HDPE 100 END CONNECTOR FOR BUTT WELDING OR ELECTROFUSION

## SDR11

d	DN	L	H	€/ST/PC
20	15	95	280	6.22
25	20	95	298	7.31
32	25	95	306	9.26
40	32	95	324	11.84
50	40	95	344	12.23
63	50	95	374	17.83



MEMBRAANKRANEN  
VANNES A MEMBRANE  
DIAPHRAGM VALVES

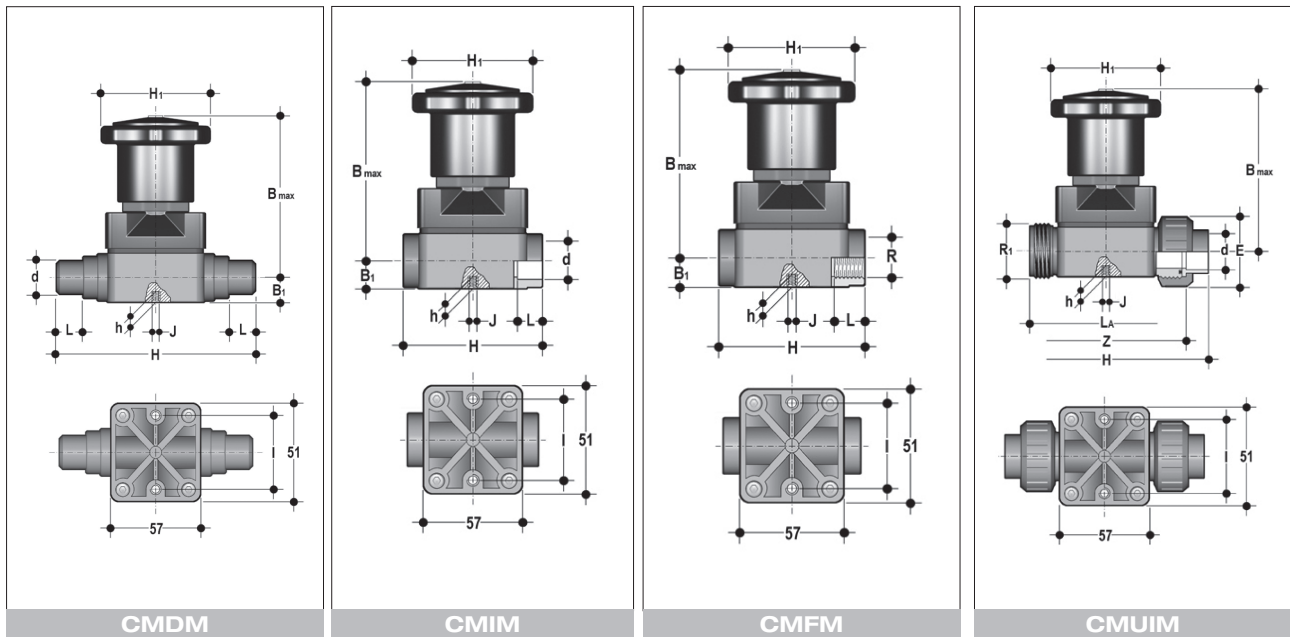
Flensaansluiting. Membraan: EPDM, PTFE.  
Raccordement à brides. Membrane: EPDM, PTFE.  
Flange connection. Diaphragm: EPDM, PTFE.

PN		DN	L	D	D <sub>2</sub>	D <sub>3</sub>	H	I	T	e	n	KG ST/PC
EPDM	PTFE											
10	10	15	130	16	65	95	85	126	20	14	4	0.7
10	10	20	150	20	75	105	94	137	20	14	4	1.0
10	10	25	160	25	85	115	100	145	20	14	4	1.3
10	10	32	180	32	100	140	135	190	20	18	4	1.8
10	10	40	200	41	110	150	135	190	20	18	4	2.0
10	8	50	230	52	125	165	146	212	22	18	4	2.8
10	8	65	290	67	145	185	189	268	22	18	4	4.9
10	7	80	310	78	160	200	210	305	24	18	8	6.7
10	6	100	350	100	180	220	270	375	26	18	8	11.3
7	5	125	400	125	210	250	308	420	23	18	8	14.3
7	5	150	480	148	240	285	334	476	27	23	8	23.0
5	4	200	600	196	295	340	419	627	34	23	8	35.7
4	4	250	730	247	350	385	510	778	36	23	12	61.6

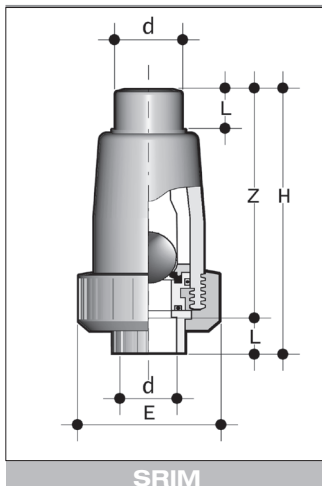
Prijzen op aanvraag

MEMBRAANAFSLUITERS  
ROBINETS A MEMBRANE  
DIAPHRAGM COCKS

## PN 6

 Volgens normen ISO-BS-ASTM.  
Normes selon ISO-BS-ASTM.  
According to ISO-BS-ASTM.


CODE	D/R	DN	B max.	B1	H1	H	h	I	J l/min	L/LA	g	z	R1	E	€/ST/PC		
															EPDM	FPM	CR+PTFE
<b>CMDM</b>	20	15	86	15	58.5	124	8	35	M5	17	270				<b>95.34</b>	<b>100.96</b>	<b>109.77</b>
<b>CMIM</b>	16	12	86	15	58.5	75	8	35	M5	14	240				<b>53.31</b>	<b>72.65</b>	<b>81.73</b>
<b>CMIM</b>	20	15	86	15	58.5	75	8	35	M5	16	240				<b>53.31</b>	<b>72.65</b>	<b>81.73</b>
<b>CMFM</b>	3/8"	12	86	15	58.5	75	8	35	M5	11.5	240				<b>53.31</b>	<b>72.65</b>	<b>81.73</b>
<b>CMFM</b>	1/2"	15	86	15	58.5	75	8	35	M5	15.0	240				<b>53.31</b>	<b>72.65</b>	<b>81.73</b>
<b>CMUIM</b>	20	15	86	-	58.5	130	8	35	M5	90	255	97.5	1"	41	<b>85.06</b>	<b>103.27</b>	<b>113.46</b>

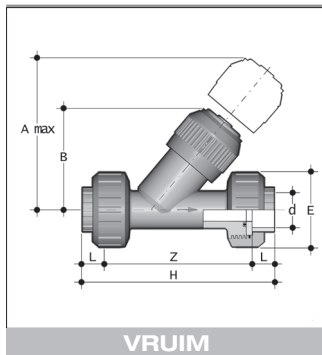

**SRIM**

 KOGEL TERUGSLAGKLEPPEN  
CLAPETS DE RETENUE A BILLE  
CHECK BALL VALVES

**PN 10**

Inwendige lasmoffen.  
Bouts femelles à souder.  
With welding sockets.

d	DN	E	L	Z	H	G/ST/PC	€/ST/PC FPM
20	15	55	16	89	105	75	<b>63.44</b>
25	20	65	19	107	126	140	<b>70.25</b>
32	25	74	22	126	148	215	<b>77.01</b>
40	32	86	26	146	172	320	<b>94.60</b>
50	40	99	31	158	189	440	<b>112.04</b>
63	50	120	38	186	224	750	<b>168.14</b>

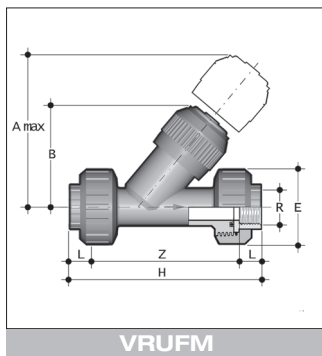

**VRUIM**

 TERUGSLAGKLEPPEN  
CLAPETS DE RETENUE  
CHECK VALVES

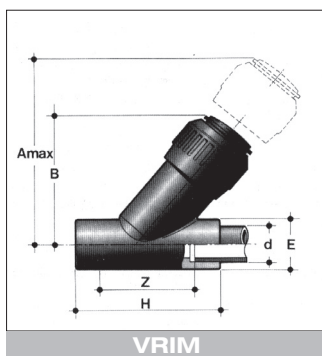
3-delige koppelingen met inwendige lasmof (VRUIM) of inwendige schroefdraad (VRUFM).  
Afdichting: FPM (EPDM op aanvraag)

Raccordement avec pièces folles, bouts femelles à souder (VRUIM) ou bouts femelles à fileter (VRUFM).  
Etanchéité: FPM (EPDM sur demande)

Three union connections for socket fusion (VRUIM) or interior thread (VRUFM).  
Seals: FPM (EPDM on request)

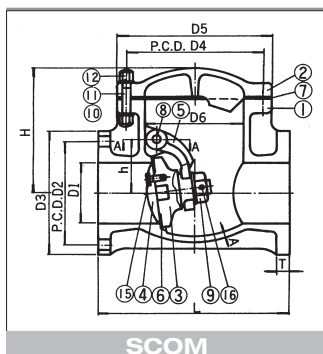

**VRUFM**

D	R	PN	A max	B	E	Z		H		G ST/PC	€/ST/PC	
						VRUIM	VRUFM	VRUIM	VRUFM		VRUIM	VRUFM
20	1/2"	10	125	71.0	55	108.5	113.0	137.5	143	165	<b>66.72</b>	<b>70.73</b>
25	3/4"	10	145	83.0	65	125.0	127.4	157.0	160	227	<b>76.47</b>	<b>81.03</b>
32	1"	10	165	94.0	74	142.5	144.8	178.5	183	380	<b>82.97</b>	<b>89.60</b>
40	1 1/4"	10	190	109.0	86	164.0	171.2	205.0	214	645	<b>100.83</b>	<b>106.90</b>
50	1 1/2"	10	210	119.0	99	196.5	192.2	243.5	235	915	<b>121.98</b>	<b>129.31</b>
63	2"	10	240	142.5	120	239.0	233.6	294.0	285	1555	<b>185.35</b>	<b>194.63</b>

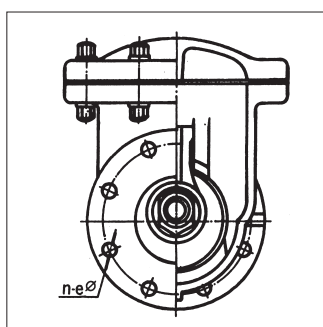

**VRIM**

Inwendige lasmoffen (VRIM). Afdichting: FPM  
Bouts femelles à souder (VRIM). Etanchéité: FPM  
With welding sockets (VRIM). Seals: FPM

D	DN	Amax.	B	E	H	Z	K	G/ST/PC	PN	€/ST/PC
75	65	300	176	103	241	179	96	2450	6	<b>372.24</b>
90	80	325	193	115	260	189	105	3130	4	<b>612.76</b>



SCOM

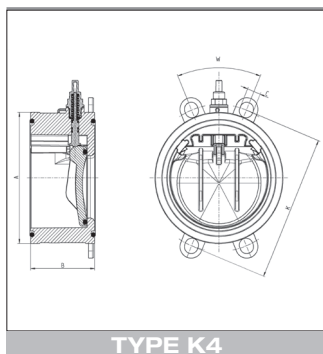


SWING TERUGSLAGKLEPPEN  
CLAPETS DE RETENUE SWING  
SWING CHECK VALVES

Flensaansluiting volgens DIN 2501 PN 10. Dichtingen : EPDM, FPM, PTFE.  
A brides suivant DIN 2501 PN 10. Joints : EPDM, FPM, PTFE.  
With flanges according to DIN 2501 PN 10. Seals : EPDM, FPM, PTFE.

DN	A	B	H	L	T	PN BAR*	G/ST/PC
20	105	86	90	140	15	7	460
25	115	130	120	160	15	7	1100
40	150	145	138	180	16	7	2100
50	165	180	164	200	17	7	2800
65	185	205	171	260	20	7	3500
80	200	205	171	260	20	7	3800
100	220	265	213	300	23	5	6600
125	250	330	238	350	25	5	11400
150	285	370	268	400	30	5	14300
200	340	425	306	500	31	3	23400

\* werkdruk bij 20°C  
\* pression de travail à 20°C  
\* working pressure at 20°C



TYPE K4

TERUGSLAGKLEPPEN  
CLAPETS DE RETENUE  
CHECK VALVES

**PN 6**  
PP-GFK: PN 10 (DN250 : PN 8)  
PP: PN 6

Met standaardwijzer  
Opening tot 85°, dichting EPDM of FPM  
Verbinding d.m.v. kraag / flens  
Leverbaar met veer voor werkdruk van 3 - 7 - 10 bar

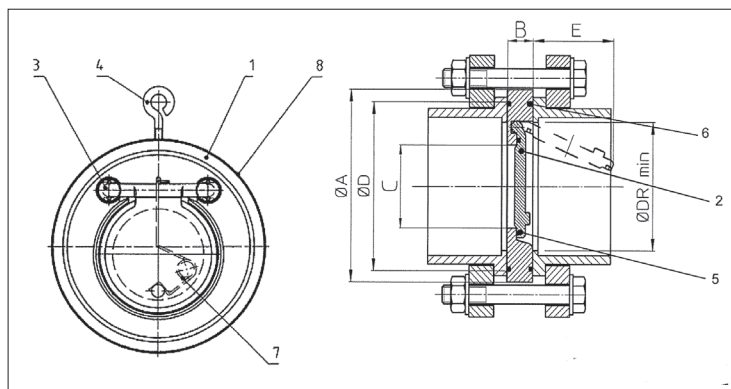
Avec indicateur de position.  
Ouverture jusqu'à 85°, joint EPDM ou FPM  
Raccordement avec collet / bride.  
Livrable avec ressort pour pression de 3 - 7 - 10 bar.

With position indicator  
Opening up to 85°, gasket EPDM or FPM  
Connection by stub flange / flange  
With spring for pressure 3 - 7 - 10 bar.

DN	A	B	C	K	W
65	115	63	20	139-145	90°
80	128	71	20	150-160	45°
100	155	80	20	175-191	45° BS
150	212	106	24	234-242	45° BS
200	264	140	24	290-299	45° BS
250	325	140	27	350-362	30° BS

prijzen op aanvraag / prix sur demande / prices on request.

VLINDERTERUGSLAGKLEPPEN  
CLAPETS DE RETENUE PAPILLON  
BUTTERFLYCHECK VALVES



1. body
2. disc
3. screw
4. ring screw
5. O-ring
6. O-ring
7. spring
8. typ plate
9. spacer

Eveneens leverbaar voor ASA 150 flenzen.  
Deze terugslagklep is niet aan te raden voor pulserende stromingen.  
Dichtingen : EPDM, FPM.  
Veer :RVS 316 of HASTELLOY

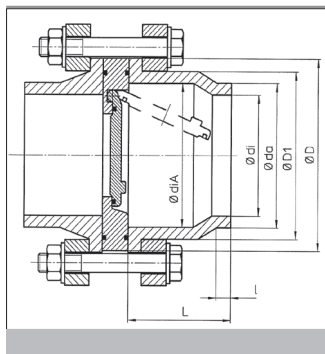
Egalement disponible pour brides ASA 150.  
Ces vannes de retenue ne conviennent pas pour des flux pulsés.  
Joints : EPDM, FPM.  
Ressort : INOX 316 of HASTELLOY

Also available to fit ANSi 150 flanges.  
These valves are not suitable for use with pulsating flows.  
Seals : EPDM, FPM.  
Spring : AISI 316 of HASTELLOY

D	DN	A	B	*B	C	D	E	F	DR	PN	€/ST/PC EPDM
40	32	85	15	15	18	59	22	25	37	6	237.97
50	40	95	16	16	22	72	25	28	43	6	244.35
63	50	109	18	18	32	86	37	29	54	6	285.90
75	65	129	20	20	40	105	50	31	70	6	297.03
90	80	144	20	20	54	119	61	32	82	6	317.80
110	100	164	23	23	70	146	77	31	106	6	367.13
140	125	195	23	23	92	173	94	35	131	6	420.01
160	150	220	26	26	105	197	100	40	159	6	463.10
225	200	275	34	34	154	255	152	38	207	6	907.03
280	250	330	40	40	192	312	180	41	260	6	1293.46
315	300	380	45	45	227	363	215	41	309	6	1676.70
*400	350	440	49	49	266	416	245	54	341	4	3594.65
*450	400	491	65	65	310	467	285	55	392	4	4178.18
*560	500	596	78	87	400	550	385	58	493	4	6319.33

B : afmetingen zonder veer / dimensions sans ressort / dimensions without spring  
\*B : afmetingen met veer / dimensions avec ressort / dimensions with spring

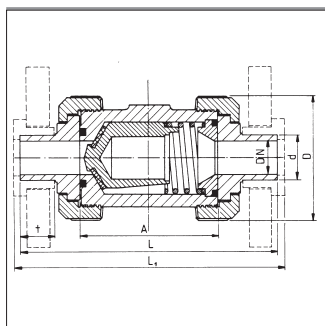
prijzen zonder veer / prix sans ressort / prices without spring  
\* prijzen met veer / prix avec ressort / prices with spring



VLINDERTERUGSLAGKLEPPEN  
CLAPETS DE RETENUE PAPILLON  
BUTTERFLYCHECK VALVES

Inbouwafmetingen met PP voorlaskragen  
Dimensions de construction pour les collets en PP  
Dimensions exit support for PP Stub Flanges

DN	D	L	da	di		diA	I	D1
				PN6	PN10			
32	80	65	40	35	32	37	30	50
40	90	68	50	43	41	43	30	61
50	105	74	63	54	51	54	30	77
65	125	78	75	66	61	70	30	91
80	140	87	90	79	73	82	35	109
100	160	102	110	97	90	106	35	132
100	160	90	125	110	102	106	35	132
125	190	125	140	124	114	130	47	166
150	215	150	160	141	130	158	52	189
150	215	130	180	158	147	158	52	189
200	270	200	200	177	163	206	55	249
200	270	180	225	199	184	206	56	249
250	325	225	250	221	204	259	63	293
250	325	200	280	248	229	259	63	293
300	375	255	315	280	257	308	66	337
350	435	285	355	314	290	341	71	375
400	486	325	400	354	327	392	78	429



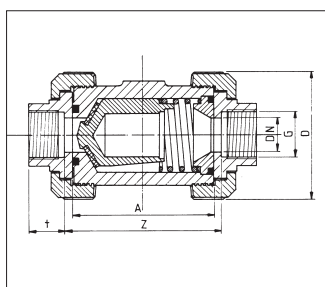
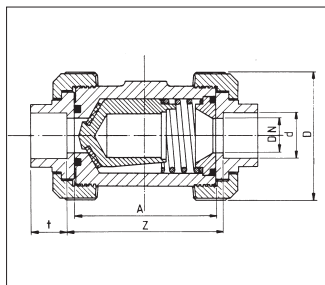
PRIM

KEGEL TERUGSLAGKLEPPEN MET VEER  
CLAPETS DE RETENUE CHARGEE PAR RESSORT  
CHECK BALL VALVES SPRING LOADED

Vrouwelijke lasuiteinden (PRIM), mannelijke lasuiteinden (PRDM), draadaansluiting (PRFM), flensaansluiting (PROM). Dichtingen: EPDM, FPM, Veer: WSt 1.4401 met PTFE coating.

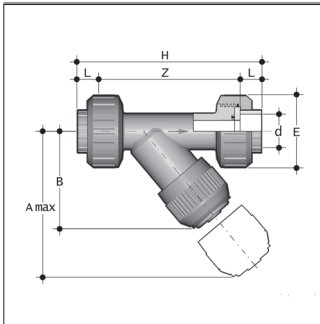
Bouts femelles à souder (PRIM), bouts mâles à souder (PRDM), filetage femelle (PRFM), à brides (PROM). Joints: EPDM, FPM Ressort: WSt 1.4401 enrobé avec PTFE.

Welding sockets (PRIM), welding spigots (PRDM), threaded sockets (PRFM), with flanges (PROM). Seals: EPDM, FPM, spring: WSt 1.4401 with PTFE coating.



D	DN	G	L	L1	A	Z	t	D	PN
20	15	1/2"	124	130	62	67.5	16.0	52.5	10
25	20	3/4"	144	150	69	79.0	17.0	62.0	10
32	25	1"	154	160	73	84.0	19.5	69.5	10
40	32	1 1/4"	174	180	83	96.0	22.0	84.0	10
50	40	1 1/2"	194	200	94	114.0	25.0	100.0	10
63	50	2"	224	230	108	134.0	29.0	120.0	10
75	65	2 1/2"	284	290	133	162.0	34.5	155.0	8
90	80	3"	300	310	160	208.0	38.5	187.0	6
110	80	4"	340	350	160	227.0	44.0	187.0	6

Openingsdruk 0.06 bar.  
Pression d'ouverture 0.06 bar.  
Opening pressure 0.06 bar.


**RVUIM**
**VUILVANGERS  
FILTRES A TAMIS  
SEDIMENT STRAINERS**

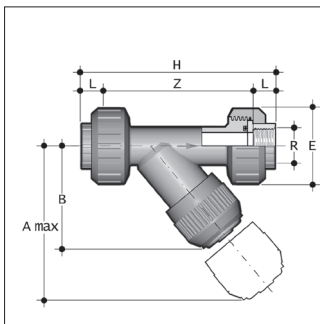
3-delige koppelingen met inwendige lasmof (RVUIM) of inwendige schroefdraad (RVUFM).  
Afdichting: FPM. Standaard PP zeefje 1.5 mm maaswijdte.

Raccordement avec pièces folles, bouts femelles à souder (RVUIM) ou bouts femelles à fileter (RVUFM).

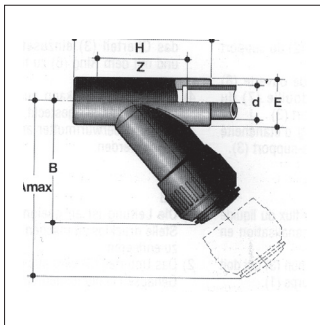
Etancheité: FPM. Tamis standard en PP avec trame 1.5 mm.

Three union connections for socket fusion (RVUIM) or interior thread (RVUFM).

Seals: FPM. Standard PP filter screen 1.5 mm mesh.


**RVUFM**

D	R	PN	A max	B	E	Z		H		G ST/PC	€/ST/PC	
						RVUIM	RVUFM	RVUIM	RVUFM		RVUIM	RVUFM
20	1/2"	10	125	71.0	55	108.5	105.0	137.5	135	148	78.25	82.98
25	3/4"	10	145	83.0	65	125.0	124.4	157.0	157	195	97.60	103.44
32	1"	10	165	94.0	74	142.5	139.8	178.5	178	297	114.15	123.31
40	1 1/4"	10	190	109.0	86	164.0	163.2	205.0	206	475	132.82	140.80
50	1 1/2"	10	210	119.0	99	196.5	203.2	243.5	246	675	153.14	162.32
63	2"	10	240	142.5	120	239.0	242.6	294.0	294	1100	210.79	221.41


**RVIM**

Inwendige lasmoffen (RVIM). Afdichting: FPM. Standaard PP zeefje 1.5 mm maaswijdte.

Bouts femelles à souder (RVIM). Etancheité: FPM. Tamis standard en PP avec trame 1.5 mm.

With welding sockets (RVIM). Seals: FPM. Standard PP filter screen 1.5 mm mesh.

D	DN	Amax.	B	E	H	Z	K	G/ST/PC	PN	€/ST/PC
75	65	300	176	103	241	179	96	1580	6	235.06
90	80	325	193	115	260	189	105	1920	4	301.59
110	100	385	229	138	323	240	-	3000	4	593.77





27 / DN 15-50

MONOBLOK KOGELKRANEN  
ROBINET A TOURNANT SPHERIQUE - MONOBLOC  
MONOBLOC - BALL VALVES

Kogelkranen voor chemische toepassingen. Uniek monoblok design zorgt voor verhoogde zekerheid tegen lekkage. Kogelzittingen en spindelpakking in PTFE. Geflensde uitvoering, manuele bediening met vergrendelbare kunststof hendel.

Robinets à tournant sphérique pour des applications chimiques. En monobloc unique offre une sécurité accrue contre les fuites. Sièges de boule et le joint de tige en PTFE. Exécution à bride, commande manuelle à levier cadenassable en matière synthétique.

Ball valves for chemical applications. Unique monobloc design provides increased security against leakage. Ball seats and spindle gasket in PTFE. Flanged execution, manual control with lockable lever in plastic.



27A / DN 65-100

**Opties / Option :**

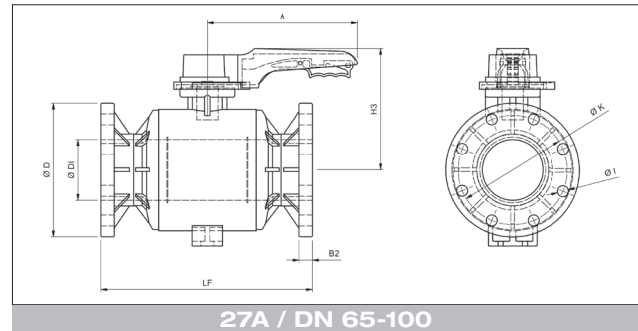
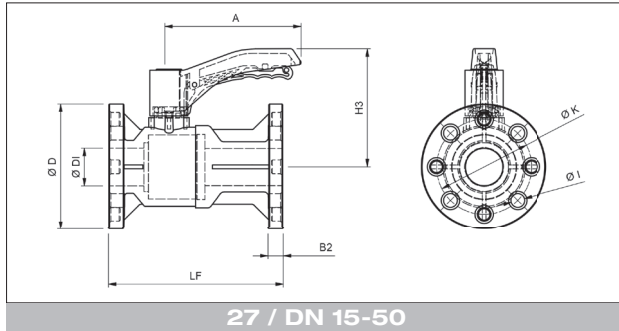
- Pneumatische en elektrische aandrijvingen (+ toebehoren)
- spindelverlengingen voor isolatie
- ATEX uitvoering
- diameters tot DN 150
- dodemanshendel
- terugmeldingen (open-dicht)

- Actionneurs pneumatiques et électriques (+ accessoires)
- rehausse pour calorifugeage
- exécution ATEX
- diamètres jusqu'à DN 150
- levier homme mort
- contacts fin de course (ouvert-fermé)

- Pneumatic and electric actuators
- spindle extensions for insulation
- ATEX execution
- diameters up to DN 150
- spring return handle
- limit switches (open-close)

MONOBLOK KOGELKRANEN  
ROBINET A TOURNANT SPHERIQUE - MONOBLOC  
MONOBLOC - BALL VALVES

Vervolg / suite



DN	d	G	PN	Kv m³/h	Torque Nm	D	H3	A	LF	B2	n x l	K	Bouten Boulon Bolts	Torque* Nm
15	20	1/2"	10	11,1	6	95	115	140	130	13.0	4 x 14	65	4xM12	7,5
20	25	3/4"	10	21.0	6	105	115	140	150	14.0	4 x 14	75	4xM12	9.0
25	32	1"	10	42.0	8	117	125	140	160	15.0	4 x 14	85	4xM12	10.0
32	40	1 1/4"	10	60.0	12	140	145	175	180	17.0	4 x 18	100	4xM16	20.0
40	50	1 1/2"	10	96.0	12	150	145	175	200	17,5	4 x 18	110	4xM16	20.0
50	63	2"	10	186.0	19	165	155	175	230	18.0	4 x 18	125	4xM16	25.0
65	75	2 1/2"	10	300.0	18	185	205	250	290	20.0	4 x 18	145	4xM16	25.0
80	90	3"	10	420.0	18	200	205	250	310	20.0	8 x 18	160	8xM16	30.0
100	110	4"	10	840.0	40	225	215	250	350	21.0	8 x 18	180	8xM16	30.0

Torque = draaimoment / couple de manoeuvre / torque operation

Torque\* = aandraaimoment flensbouten / couple de serrage boulons / tightening torque flange bolts

DN	PP-GFK €/ST/PC			PP-H €/ST/PC		
	EPDM	FKM	FEP	EPDM	FKM	FEP
15	90.68	102.08	146.70	90.68	102.08	146.70
20	95.50	107.21	179.60	95.50	107.21	179.44
25	131.61	144.77	196.93	131.61	144.77	196.93
32	165.32	177.99	253.91	165.32	177.99	253.91
40	195.81	216.19	274.78	195.81	216.19	274.78
50	214.43	237.54	357.27	214.43	237.54	357.27
65	451.33	490.33	610.70	451.33	490.33	610.70
80	532.70	584.38	717.92	532.70	584.38	717.92
100	676.83	730.11	869.27	676.83	730.11	869.27