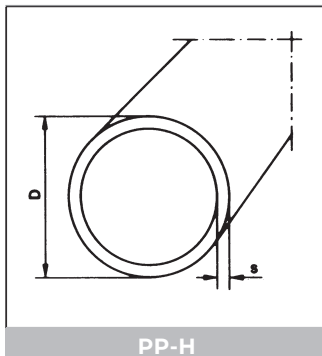




buizen  
tuyaux  
pipes

PP-H



DRUKBUIS - GRIJS RAL 7032  
TUYAUX DE PRESSION - GRIS RAL 7032  
PRESSURE PIPE - GREY RAL 7032

$$S = \frac{1}{2} \left( \frac{D}{s} - 1 \right)$$

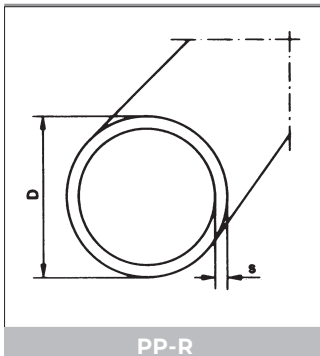
$$\text{Standard Dimension Ratio: } SDR = 2 S + 1 = \frac{D}{s}$$

L = 5 m. andere lengten op aanvraag  
Volgens DIN 8077/78 type 1 ; ISO R161/1-1978

L = 5 m. autres longueurs sur demande  
Selon DIN 8077/78 type 1 ; ISO R161/1-1978

L = 5 m. other lengths on request  
According to DIN 8077/78 type 1 ; ISO R161/1-1978

D	S 20 SDR 41 PN 2.5			S 16 SDR 33 PN 3.2			S 12.5 SDR 26 PN 4			S 8.3 SDR 17.6 PN 6			S 5 SDR 11 PN 10			S 3.2 SDR 7.4 PN 16		
	s	KG/M	€/M	s	KG/M	€/M	s	KG/M	€/M	S	KG/M	€/M	S	KG/M	€/M	S	KG/M	€/M
12																1.8	0.05	1.23
16													1.8	0.08	1.13			
20													1.9	0.11	1.63	2.8	0.14	2.13
25													2.3	0.16	2.29	3.5	0.23	3.53
32																		
40							1.8	0.21	2.44	2.3	0.27	2.92	3.7	0.41	4.35	5.5	0.57	6.30
50							2.0	0.30	3.42	2.9	0.42	4.54	4.6	0.63	6.78	6.9	0.89	9.69
63							2.5	0.47	5.36	3.6	0.66	7.00	5.8	1.01	10.71			
75				2.3	0.52	6.66	2.9	0.64	7.63	4.3	0.92	9.94	6.8	1.40	15.13	10.3	2.00	21.31
90				2.8	0.76	9.10	3.5	0.93	10.57	5.1	1.32	14.04	8.2	2.02	21.38	12.3	2.86	30.93
110	2.7	0.90	9.59	3.4	1.11	13.94	4.2	1.36	15.97	6.3	1.98	21.04	10.0	3.01	31.83	15.1	4.29	46.75
125	3.1	1.17	12.60	3.9	1.45	17.41	4.8	1.76	20.04	7.1	2.54	26.95	11.4	3.89	41.17	17.1	5.52	58.92
140	3.5	1.48	15.62	4.3	1.78	22.12	5.4	2.21	25.18	8.0	3.20	33.76	12.7	4.87	51.66	19.2	6.93	73.96
160	4.0	1.91	19.76	4.9	2.32	28.44	6.2	2.89	32.90	9.1	4.15	43.93	14.6	6.38	67.36	21.9	9.04	103.20
180	4.4	2.36	25.08	5.5	2.94	35.83	6.9	3.63	42.19	10.2	5.22	55.26	16.4	8.05	84.96			
200	4.9	2.92	30.87	6.2	3.65	44.12	7.7	4.50	51.23	11.4	6.47	68.46	18.2	9.92	105.08			
225	5.5	3.70	38.97	6.9	4.57	55.73	8.6	5.65	64.97	12.8	8.19	86.34	20.5	12.60	132.98			
250	6.2	4.59	48.05	7.7	5.67	68.83	9.6	6.99	82.01	14.2	10.10	106.72	22.7	15.50	163.87			
280	6.9	5.73	63.21	8.6	7.09	86.02	10.7	8.72	99.23	15.9	12.60	132.98	25.4	19.40	205.05			
315	7.7	7.19	75.80	9.7	8.97	108.74	12.1	11.10	127.63	17.9	16.00	169.05	28.6	24.60	259.71			
355	8.7	9.14	96.31	10.9	11.30	138.34	13.6	14.00	159.37	20.1	20.20	213.35						
400	9.8	11.60	129.36	12.3	14.40	173.53	15.3	17.70	203.91	22.7	25.70	271.55						
450	11.0	14.60	163.10	13.8	18.20	226.96	17.2	22.40	258.05	25.5	32.50	358.24						
500	12.3	18.10	202.17	15.3	22.30	278.75	19.1	27.60	319.01	28.3	40.10	441.99						
560	13.7	22.60	246.94	17.2	28.10	347.94	21.4	34.60	393.82	31.7	50.30	554.40						
630	15.4	28.50	310.63	19.3	35.50	427.50	24.1	43.90	499.63	35.7	63.70	702.11						
710	17.4	36.30	559.79	21.8	45.20	706.98	27.2	55.80	1046.22									
800	19.6	46.10	708.99	24.5	57.20	893.39	30.6	70.80	1114.36									
900	22.0	58.20	958.85	27.6	72.50	1298.03	34.4	89.40	1389.50									
1000	24.5	72.00	1186.20	30.6	89.20	1586.86	38.2	110.00	1709.69									
1200	29.4	103.00	1790.21	36.7	128.00	2387.59												
1400	34.3	141.00	2569.79															



DRUKBUIS - GRIJS RAL 7032  
 TUYAUX DE PRESSION - GRIS RAL 7032  
 PRESSURE PIPE - GREY RAL 7032

$$S = \frac{1}{2} \left( \frac{D}{S} - 1 \right)$$

$$\text{Standard Dimension Ratio: } SDR = 2 S + 1 = \frac{D}{S}$$

L = 5 m. andere lengten op aanvraag  
 Volgens DIN 8077/78 type 1 ; ISO R161/1-1978

L = 5 m. autres longueurs sur demande  
 Selon DIN 8077/78 type 1 ; ISO R161/1-1978

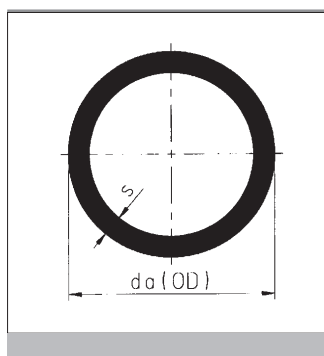
L = 5 m. other lengths on request  
 According to DIN 8077/78 type 1 ; ISO R161/1-1978

D	S 8.3 SDR 17.6 PN 6			S 5 SDR 11 PN 10		
	S	KG/M	€/M	S	KG/M	€/M
20				1.9	0.11	<b>1.63</b>
25				2.3	0.16	<b>2.37</b>
32	1.9	0.171	<b>2.52</b>	2.9	0.26	<b>3.83</b>
40	2.3	0.273	<b>3.08</b>	3.7	0.41	<b>4.62</b>
50	2.9	0.422	<b>4.75</b>	4.6	0.64	<b>7.19</b>
63	3.6	0.659	<b>7.43</b>	5.8	1.01	<b>11.33</b>
75	4.3	0.936	<b>10.55</b>	6.8	1.40	<b>15.71</b>
90	5.1	1.320	<b>14.87</b>	8.2	2.03	<b>22.78</b>
110	6.3	1.980	<b>22.31</b>	10.0	3.01	<b>33.78</b>
125	7.1	2.540	<b>28.62</b>	11.4	3.91	<b>43.88</b>
140	8.0	3.200	<b>36.06</b>	12.7	4.87	<b>54.66</b>
160	9.1	4.150	<b>46.76</b>	14.6	6.39	<b>71.72</b>
180	10.2	5.220	<b>58.81</b>	16.4	8.07	<b>90.56</b>
200	11.4	6.470	<b>72.89</b>	18.2	9.95	<b>111.67</b>
225	12.8	8.190	<b>92.27</b>	20.5	12.59	<b>141.29</b>
250	14.2	10.100	<b>113.80</b>	22.7	15.48	<b>173.71</b>
280	15.9	12.600	<b>141.94</b>	25.4	19.40	<b>217.71</b>
315	17.9	16.000	<b>180.26</b>	28.6	24.55	<b>275.51</b>
355				32.2	31.10	<b>348.99</b>
400				36.3	39.50	<b>443.27</b>
450				40.9	50.10	<b>581.22</b>
500				45.4	61.80	<b>716.95</b>
710	40.2	80.700	<b>1073.69</b>			
800	45.3	103.000	<b>1370.39</b>			



buizen  
tuyaux  
pipes

## PP-R - LINER



DRUKBUIS  
TUYAU DE PRESSION  
PRESSURE PIPE

GRIJS. ZONDER VOORBEHANDELING  
GRIS . SANS TRAITEMENT  
GREY. WITHOUT PRE-TREATMENT

**L = 5.2 m**  
**SDR 9**

da	s	KG/M	€/M
32	3.6	0.31	4.14

**L = 6.2 m**  
**SDR 11**

da	s	KG/M	€/M
40	3.7	0.41	5.28
50	4.6	0.64	8.18
63	5.8	1.01	12.98

**SDR 17.6**

da	s	KG/M	€/M
75	4.5	0.97	12.51
90	5.1	1.32	16.58
110	6.3	1.98	24.82

**SDR 26**

da	s	KG/M	€/M
125	4.8	1.77	22.00

**SDR 33**

da	s	KG/M	€/M
160	4.9	2.32	28.94

**SDR 41**

da	s	KG/M	€/M
200	4.9	2.92	36.39
250	6.2	4.59	57.72

**Ventilatie / ventilation**

da	s	KG/M	€/M
315	5.0	4.47	60.87
355	6.0	6.38	81.95
400	6.0	7.20	92.48
500	8.0	11.90	157.34

Fittingen : zie hoofdstuk I-PP

Raccords: voir chapitre I-PP

Fittings : see chapter I-PP