



snelkoppelingen voor PE leidingen
raccords rapides pour conduites en PE
quick joints for PE piping system

PP / MAGNUM 3G

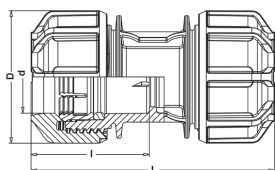


3G ZBP

RECHTE KOPPELINGEN MAGNUM 3G
RACCORDS DROITS MAGNUM 3G
STRAIGHT COUPLINGS MAGNUM 3G

PN 16 - 20°C

| d | D | L | I | €/ST/PC |
|------|-------|-------|-------|---------|
| 16 | 39.5 | 75.0 | 36.2 | 5.18 |
| 20 | 46.5 | 89.0 | 43.4 | 5.39 |
| 25 | 55.0 | 94.0 | 45.7 | 6.45 |
| 32 | 67.0 | 117.6 | 57.5 | 8.38 |
| 40 | 82.0 | 139.0 | 67.0 | 13.61 |
| 50 | 94.0 | 160.6 | 79.0 | 18.59 |
| 63 | 109.0 | 187.0 | 90.5 | 25.59 |
| *75 | 135.0 | 298.0 | 147.0 | 51.93 |
| *90 | 158.0 | 359.0 | 177.0 | 77.03 |
| *110 | 191.0 | 425.5 | 210.0 | 121.70 |



* zijn niet conform met de tekening.
* ne sont pas conformes au dessin.
* are not compliant with the drawing.

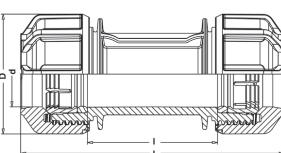


3G ZRP

REPARATIE KOPPELINGEN MAGNUM 3G
RACCORD DE RÉPARATION MAGNUM 3G
SLIP REPAIR COUPLING MAGNUM 3G

PN 16 - 20°C

| d | D | L | I | €/ST/PC |
|----|-------|-------|-------|---------|
| 20 | 46.5 | 103.5 | 45.6 | 8.32 |
| 25 | 55.0 | 121.0 | 51.3 | 10.22 |
| 32 | 67.0 | 153.6 | 71.4 | 13.72 |
| 40 | 82.0 | 188.5 | 97.0 | 22.12 |
| 50 | 94.0 | 205.0 | 100.2 | 27.40 |
| 63 | 109.0 | 221.0 | 106.0 | 35.07 |





snelkoppelingen voor PE leidingen
raccords rapides pour conduites en PE
quick joints for PE piping system

PP / MAGNUM 3G



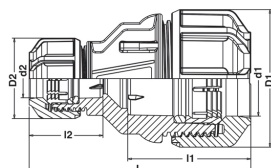
3G ZBRP

VERLOOPKOPPELINGEN MAGNUM 3G
REDUCTIONS MAGNUM 3G
REDUCING COUPLINGS MAGNUM 3G

PN 16 - 20°C

| d1 x d2 | D1 | D2 | L | I1 | I2 | €/ST/PC |
|-----------|-------|-------|-------|-----|-----|---------|
| 20 x 16 | 46.5 | 39.5 | 83.0 | 46 | 38 | 6.51 |
| 25 x 16 | 55.0 | 39.5 | 87.0 | 51 | 38 | 6.51 |
| 25 x 20 | 55.0 | 46.5 | 94.0 | 51 | 46 | 6.51 |
| 32 x 20 | 67.0 | 46.5 | 110.0 | 60 | 46 | 7.74 |
| 32 x 25 | 67.0 | 55.0 | 108.0 | 60 | 51 | 7.74 |
| 40 x 25 | 82.0 | 55.0 | 125.0 | 71 | 51 | 13.24 |
| 40 x 32 | 82.0 | 67.0 | 128.0 | 71 | 60 | 13.24 |
| 50 x 25 | 94.0 | 55.0 | 141.0 | 83 | 51 | 17.16 |
| 50 x 32 | 94.0 | 67.0 | 150.0 | 83 | 60 | 17.16 |
| 50 x 40 | 94.0 | 82.0 | 149.0 | 83 | 71 | 17.16 |
| 63 x 32 | 109.0 | 67.0 | 167.0 | 93 | 60 | 24.29 |
| 63 x 40 | 109.0 | 82.0 | 173.0 | 93 | 71 | 24.29 |
| 63 x 50 | 109.0 | 94.0 | 174.0 | 93 | 83 | 24.29 |
| * 75 x 63 | 135.0 | 113.0 | 275.0 | 147 | 124 | 46.43 |
| * 90 x 75 | 158.0 | 135.0 | 329.0 | 177 | 147 | 62.61 |
| *110 x 90 | 191.0 | 158.0 | 392.5 | 210 | 177 | 91.56 |

* zijn niet conform met de tekening.
* ne sont pas conformes au dessin.
* are not compliant with the drawing.

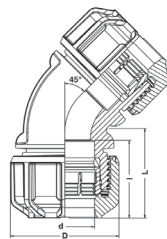


3G ZHP

KNIEEN 45° MAGNUM 3G
COUDES 45° MAGNUM 3G
ELBOWS 45° MAGNUM 3G

PN 16 - 20°C

| d | D | L | I | €/ST/PC |
|----|-----|----|----|---------|
| 32 | 67 | 53 | 52 | 10.22 |
| 40 | 82 | 67 | 66 | 17.87 |
| 50 | 94 | 81 | 71 | 25.08 |
| 63 | 109 | 97 | 82 | 33.00 |





snelkoppelingen voor PE leidingen
raccords rapides pour conduites en PE
quick joints for PE piping system

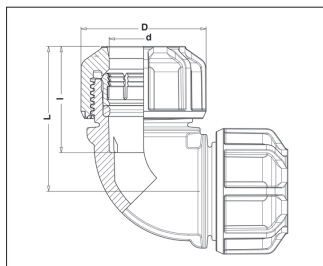
PP / MAGNUM 3G



KNIEEN 90° MAGNUM 3G
COUDES 90° MAGNUM 3G
ELBOWS 90° MAGNUM 3G

PN 16 - 20°C

| d | D | L | I | €/ST/PC |
|------|-------|-------|-------|---------|
| 16 | 39.5 | 51.0 | 38.5 | 4.69 |
| 20 | 46.5 | 57.0 | 44.5 | 5.39 |
| 25 | 55.0 | 66.5 | 49.5 | 6.58 |
| 32 | 67.0 | 77.0 | 58.0 | 8.16 |
| 40 | 82.0 | 91.0 | 71.0 | 14.34 |
| 50 | 94.0 | 102.5 | 76.0 | 20.06 |
| 63 | 109.0 | 119.5 | 88.5 | 24.29 |
| * 75 | 135.0 | 191.0 | 147.0 | 53.42 |
| * 90 | 158.0 | 227.0 | 177.0 | 75.61 |
| *110 | 191.0 | 270.5 | 210.0 | 112.92 |



* zijn niet conform met de tekening.
* ne sont pas conformes au dessin.
* are not compliant with the drawing.

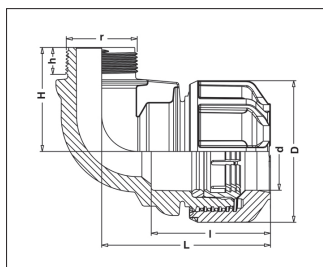


OVERGANGSKNIEEN 90° MAGNUM 3G
COUDES D'ADAPTATION A 90° MAGNUM 3G
ADAPTOR ELBOWS 90° MAGNUM 3G

Eén zijde uitwendige BS schroefdraad.
Un côté filetage mâle BS.
One end male BS threaded.

PN 16 - 20°C

| d x R | D | L | I | H | h | €/ST/PC |
|-------------|-------|-------|------|------|------|---------|
| 16 x 1/2" | 39.5 | 50.8 | 38.0 | 37.3 | 16.8 | 3.42 |
| 20 x 1/2" | 46.5 | 58.7 | 43.9 | 38.8 | 16.8 | 3.61 |
| 20 x 3/4" | 46.5 | 58.7 | 43.9 | 62.8 | 16.8 | 3.61 |
| 25 x 1/2" | 55.0 | 64.7 | 49.7 | 43.4 | 16.8 | 4.34 |
| 25 x 3/4" | 55.0 | 65.6 | 49.7 | 43.4 | 16.8 | 4.34 |
| 25 x 1" | 55.0 | 67.8 | 49.0 | 50.1 | 19.4 | 4.34 |
| 32 x 3/4" | 67.0 | 80.2 | 57.9 | 48.9 | 16.6 | 5.68 |
| 32 x 1" | 67.0 | 80.2 | 58.4 | 51.4 | 18.4 | 5.68 |
| 32 x 1 1/4" | 67.0 | 82.0 | 58.7 | 54.7 | 20.5 | 5.68 |
| 40 x 1" | 82.0 | 95.8 | 67.6 | 58.6 | 18.4 | 9.05 |
| 40 x 1 1/4" | 82.0 | 96.4 | 68.6 | 60.9 | 20.7 | 9.05 |
| 50 x 1 1/4" | 94.0 | 111.2 | 79.2 | 68.0 | 21.0 | 13.31 |
| 50 x 1 1/2" | 94.0 | 112.0 | 79.2 | 68.0 | 21.0 | 13.31 |
| 63 x 2" | 109.0 | 129.5 | 88.8 | 79.5 | 24.5 | 17.18 |





snelkoppelingen voor PE leidingen
raccords rapides pour conduites en PE
quick joints for PE piping system

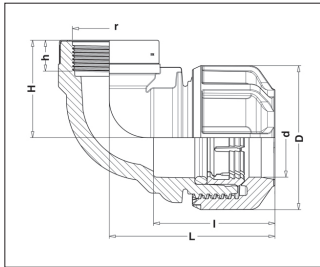
PP / MAGNUM 3G



OVERGANGSKNIEEN 90° MAGNUM 3G
COUDES D'ADAPTATION A 90° MAGNUM 3G
ADAPTOR ELBOWS 90° MAGNUM 3G

Eén zijde inwendige BS schroefdraad.
Un côté filetage femelle BS.
One end interior BS thread.

PN 16 - 20°C



| d x R | D | L | I | H | h | €/ST/PC |
|----------------|-------|-------|-------|-------|------|---------|
| 16 x 1/2" | 39.5 | 51.0 | 38.0 | 67.0 | 22.8 | 3.24 |
| 20 x 1/2" | 46.5 | 58.8 | 40.6 | 32.8 | 17.7 | 3.42 |
| 20 x 3/4" | 46.5 | 58.8 | 40.6 | 34.5 | 18.4 | 3.42 |
| 25 x 1/2" | 55.0 | 70.4 | 50.5 | 34.9 | 17.6 | 3.61 |
| 25 x 3/4" | 55.0 | 70.4 | 50.5 | 36.8 | 17.6 | 3.61 |
| 25 x 1" | 55.0 | 70.4 | 50.5 | 42.3 | 21.0 | 3.90 |
| 32 x 3/4" | 67.0 | 82.6 | 58.0 | 41.7 | 17.7 | 3.90 |
| 32 x 1" | 67.0 | 81.8 | 58.0 | 44.1 | 20.9 | 3.90 |
| ** 32 x 1 1/4" | 67.0 | 82.8 | 58.0 | 48.7 | 23.6 | 3.90 |
| 40 x 1" | 82.0 | 98.1 | 70.2 | 49.8 | 21.0 | 8.67 |
| ** 40 x 1 1/4" | 82.0 | 97.4 | 70.2 | 52.1 | 23.3 | 11.74 |
| ** 50 x 1 1/4" | 94.0 | 106.7 | 78.5 | 61.5 | 23.3 | 15.58 |
| ** 50 x 1 1/2" | 94.0 | 107.6 | 78.5 | 61.5 | 23.3 | 15.58 |
| ** 50 x 2" | 94.0 | 106.0 | 83.0 | 142.0 | 34.5 | 15.58 |
| ** 63 x 2" | 109.0 | 119.8 | 85.4 | 77.5 | 28.0 | 21.40 |
| ** 75 x 2" | 135.0 | 191.0 | 147.0 | 99.0 | 32.5 | 36.89 |
| ** 75 x 2 1/2" | 135.0 | 191.0 | 147.0 | 99.0 | 32.5 | 36.89 |
| ** 75 x 3" | 135.0 | 191.0 | 147.0 | 129.0 | 36.5 | 36.89 |
| ** 90 x 3" | 158.0 | 158.0 | 177.0 | 123.0 | 36.5 | 56.24 |
| ** 110 x 4" | 191.0 | 191.0 | 210.0 | 144.0 | 43.5 | 85.87 |

D 75 - 110: zijn niet conform met de tekening.
D 75 - 110: ne sont pas conformes au dessin.
D 75 - 110: are not compliant with the drawing.

** ZGFPK met versterkingsring in RVS
** ZGFPK avec renforcement en acier inox.
** ZGFPK with stainless steel reinforcing ring



snelkoppelingen voor PE leidingen
raccords rapides pour conduites en PE
quick joints for PE piping system

PP / MAGNUM 3G



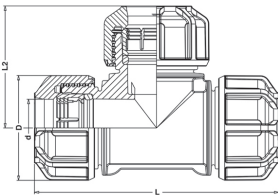
3G ZTP

T-STUKKEN 90° MAGNUM 3G
TES A 90° MAGNUM 3G
TEES 90° MAGNUM 3G

PN 16 - 20°C

| d | D | L | L2 | I | €/ST/PC |
|------|-------|-------|-------|-------|---------------|
| 16 | 39.5 | 102.0 | 51.0 | 36.0 | 5.94 |
| 20 | 46.5 | 117.5 | 58.3 | 44.0 | 7.10 |
| 25 | 55.0 | 130.7 | 63.8 | 48.2 | 9.32 |
| 32 | 67.0 | 154.3 | 78.4 | 57.4 | 12.13 |
| 40 | 82.0 | 184.5 | 93.1 | 65.3 | 19.92 |
| 50 | 84.0 | 210.0 | 104.0 | 75.0 | 27.03 |
| 63 | 109.0 | 242.0 | 115.0 | 82.7 | 38.53 |
| * 75 | 135.0 | 382.0 | 188.0 | 147.0 | 71.26 |
| * 90 | 158.0 | 454.0 | 226.0 | 177.0 | 112.70 |
| *110 | 191.0 | 541.0 | 276.0 | 210.0 | 163.50 |

* zijn niet conform met de tekening.
* ne sont pas conformes au dessin.
* are not compliant with the drawing.

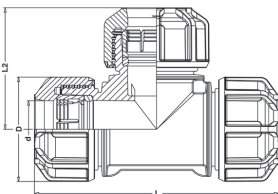


3G ZTRRP

OVERSCHUIF T-STUKKEN MAGNUM 3G
RACCORD TE GLISSANT MAGNUM 3G
SLIP TEE MAGNUM 3G

PN 16 - 20°C

| d | D | L | L2 | €/ST/PC |
|----|-------|-----|-----|--------------|
| 20 | 46.5 | 117 | 59 | 10.76 |
| 25 | 55.0 | 134 | 67 | 14.88 |
| 32 | 67.0 | 160 | 80 | 18.62 |
| 40 | 82.0 | 182 | 95 | 30.74 |
| 50 | 84.0 | 202 | 101 | 41.71 |
| 63 | 109.0 | 236 | 118 | 59.09 |





snelkoppelingen voor PE leidingen
raccords rapides pour conduites en PE
quick joints for PE piping system

PP / MAGNUM 3G

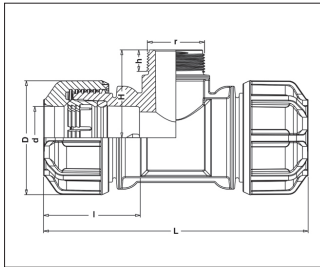


3G ZTMP

OVERGANGS T-STUKKEN 90° BUITENDRAAD MAGNUM 3G
TES D'ADAPTATION A 90° TARAUDÉ MÂLE MAGNUM 3G
ADAPTOR TEES 90° MALE THREADED MAGNUM 3G

PN 16 - 20°C

| d x R | D | L | I | H | h | €/ST/PC |
|-------------|-----|-------|------|------|------|---------|
| 25 x 1/2" | 55 | 114.0 | 39.5 | 53.0 | 19.8 | 7.79 |
| 25 x 3/4" | 55 | 114.0 | 39.5 | 54.0 | 21.1 | 7.79 |
| 32 x 1" | 67 | 158.5 | 60.0 | 54.4 | 18.6 | 9.78 |
| 40 x 1 1/4" | 82 | 191.0 | 68.0 | 63.4 | 19.5 | 17.16 |
| 50 x 1 1/2" | 94 | 218.0 | 79.0 | 72.0 | 19.5 | 24.29 |
| 63 x 2" | 109 | 245.0 | 85.0 | 86.5 | 21.9 | 47.08 |



3G ZTFP

OVERGANGS T-STUKKEN 90° MET BINNENDRAAD MAGNUM 3G
TES D'ADAPTATION A 90° TARAUDÉ FEMELLE MAGNUM 3G
ADAPTOR TEES 90° FEMALE THREADED MAGNUM 3G

PN 16 - 20°C

| d x R | D | L | I | H | h | €/ST/PC |
|----------------|-------|-----|-------|-------|------|---------|
| 16 x 1/2" | 39.5 | 102 | 36.0 | 33.0 | 22.8 | 5.12 |
| 20 x 1/2" | 46.5 | 120 | 44.8 | 31.8 | 17.4 | 5.61 |
| 20 x 3/4" | 46.5 | 120 | 44.8 | 34.8 | 17.6 | 5.61 |
| 25 x 1/2" | 55.0 | 134 | 50.6 | 37.5 | 17.5 | 7.50 |
| 25 x 3/4" | 55.0 | 134 | 50.6 | 37.5 | 17.7 | 7.50 |
| 25 x 1" | 55.0 | 134 | 50.6 | 43.0 | 20.7 | 7.50 |
| 32 x 3/4" | 67.0 | 162 | 60.0 | 43.3 | 17.5 | 9.32 |
| 32 x 1" | 67.0 | 162 | 60.0 | 46.9 | 20.9 | 9.32 |
| ** 32 x 1 1/4" | 67.0 | 162 | 60.0 | 49.9 | 23.0 | 9.32 |
| 40 x 1" | 82.0 | 192 | 68.3 | 53.0 | 21.0 | 17.16 |
| ** 40 x 1 1/4" | 82.0 | 192 | 68.3 | 53.0 | 23.5 | 17.16 |
| ** 50 x 1 1/4" | 94.0 | 218 | 79.0 | 60.5 | 23.6 | 22.80 |
| ** 50 x 1 1/2" | 94.0 | 218 | 79.0 | 62.5 | 23.6 | 22.80 |
| ** 63 x 2" | 109.0 | 241 | 84.8 | 76.5 | 27.6 | 32.82 |
| ** 75 x 2" | 135.0 | 382 | 147.0 | 76.5 | 32.5 | 66.45 |
| ** 75 x 2 1/2" | 135.0 | 382 | 147.0 | 76.0 | 32.5 | 66.45 |
| ** 75 x 3" | 135.0 | 382 | 147.0 | 92.5 | 36.5 | 66.45 |
| ** 90 x 3" | 158.0 | 454 | 177.0 | 86.5 | 36.5 | 87.69 |
| **110 x 4" | 191.0 | 541 | 210.0 | 101.5 | 43.5 | 129.75 |

D 75 - 110: zijn niet conform met de tekening.
D 75 - 110: ne sont pas conformes au dessin.
D 75 - 110: are not compliant with the drawing.

** met versterkingsring in RVS
** avec renforcement en acier inox.
** with stainless steel reinforcing ring



snelkoppelingen voor PE leidingen
raccords rapides pour conduites en PE
quick joints for PE piping system

PP / MAGNUM 3G

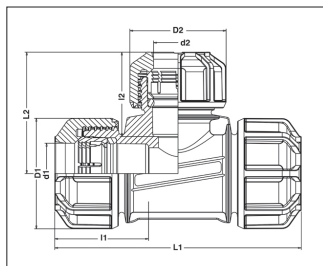


3G ZTRP

VERLOOP T-STUKKEN 90° MAGNUM 3G
TES REDUITS A 90° MAGNUM 3G
REDUCING TEES 90° MAGNUM 3G

PN 16 - 20°C

| d1 x d2 | D1 | L1 | I1 | D2 | L2 | I2 | €/ST/PC |
|---------|-----|-----|----|----|-----|------|---------|
| 25 x 20 | 55 | 134 | 50 | 47 | 64 | 45.5 | 9.19 |
| 25 x 32 | 55 | 134 | 50 | 67 | 69 | 62.0 | 9.19 |
| 32 x 25 | 67 | 160 | 60 | 55 | 74 | 51.0 | 11.74 |
| 40 x 25 | 81 | 166 | 71 | 55 | 74 | 51.0 | 18.92 |
| 40 x 32 | 81 | 171 | 71 | 67 | 84 | 60.0 | 18.92 |
| 50 x 25 | 94 | 182 | 79 | 55 | 81 | 51.0 | 27.02 |
| 50 x 32 | 94 | 187 | 79 | 67 | 90 | 63.0 | 27.02 |
| 50 x 40 | 94 | 197 | 79 | 81 | 98 | 71.0 | 27.02 |
| 63 x 25 | 110 | 196 | 88 | 55 | 88 | 51.0 | 35.70 |
| 63 x 32 | 110 | 201 | 88 | 67 | 98 | 59.0 | 35.70 |
| 63 x 50 | 110 | 220 | 88 | 94 | 111 | 79.0 | 35.70 |

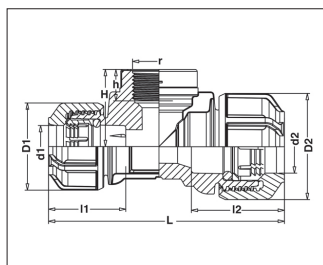


3G ZTFP

OVERGANGS T-STUKKEN 90° MET BINNENDRAAD REDUCEREND
TES D'ADAPTATION REDUITS A 90° TARAUDÉ FEMELLE MAGNUM 3G
REDUCING TEES 90° FEMALE THREADED MAGNUM 3G

PN 16 - 20°C

| d1 x R x d2 | D1 | d2 | L | I1 | I2 | H | h | €/ST/PC |
|--------------|----|----|-----|------|----|----|------|---------|
| 25 x 1" x 32 | 55 | 67 | 152 | 50.3 | 60 | 48 | 20.2 | 9.32 |

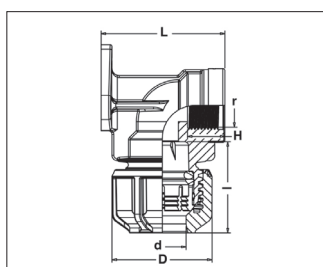


3G ZWFP

KNIEEN 90° MET MUURPLAAT MAGNUM 3G
COUDES 90° AVEC CULASSE MURALE MAGNUM 3G
WALL PLATE ELBOW 90° MAGNUM 3G

PN 16 - 20°C

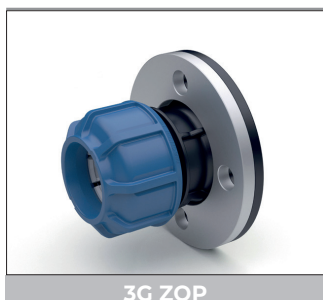
| d x R | D | L | I | h | €/ST/PC |
|-----------|------|----|------|------|---------|
| 20 x 1/2" | 46.5 | 56 | 44.5 | 20.8 | 14.77 |
| 25 x 3/4" | 55.0 | 65 | 51.2 | 20.8 | 16.42 |





snelkoppelingen voor PE leidingen
raccords rapides pour conduites en PE
quick joints for PE piping system

PP / MAGNUM 3G

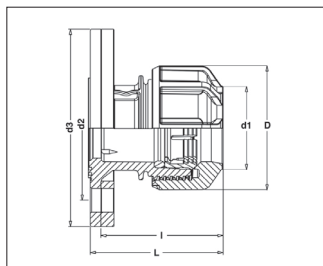


FLENSOEVERGANGEN MAGNUM 3G
BRIDES D'ADAPTATION MAGNUM 3G
ADAPTOR FLANGES MAGNUM 3G

PN 16 - 20°C

| d1 | DN | D | d2 | d3 | L | I | €/ST/PC |
|------|-----|-----|-------|-------|-------|-----|---------|
| 50 | 40 | 94 | 109.5 | 149.2 | 102.0 | 92 | 47.50 |
| 50 | 50 | 94 | 124.6 | 164.3 | 102.0 | 92 | 47.50 |
| 63 | 50 | 109 | 124.6 | 164.3 | 112.0 | 102 | 48.71 |
| * 75 | 65 | 75 | 145.0 | 185.0 | 165.0 | 147 | 62.88 |
| * 90 | 80 | 90 | 160.0 | 200.0 | 197.0 | 177 | 75.05 |
| * 90 | 100 | 90 | 180.0 | 220.0 | 198.5 | 177 | 75.05 |
| *110 | 100 | 110 | 180.0 | 220.0 | 231.0 | 210 | 98.26 |

* zijn niet conform met de tekening.
* ne sont pas conformes au dessin.
* are not compliant with the drawing.



OVERGANGSKOPPELINGEN BUITENDRAAD MAGNUM 3G
RACCORDS D'ADAPTATION TARAUDÉ MÂLE MAGNUM 3G
ADAPTOR MALE THREADED MAGNUM 3G

PN 16 - 20°C

| d x R | D | L | I | h | €/ST/PC |
|--------------|-------|-------|-------|------|---------|
| 16 x 3/8" | 39.5 | 68.0 | 44.0 | 21.1 | 3.08 |
| 16 x 1/2" | 39.5 | 58.0 | 42.1 | 14.5 | 3.08 |
| 16 x 3/4" | 39.5 | 68.0 | 44.0 | 21.1 | 3.08 |
| 20 x 1/2" | 46.5 | 70.4 | 50.1 | 14.5 | 3.11 |
| 20 x 3/4" | 46.5 | 70.4 | 50.1 | 14.5 | 3.11 |
| 25 x 1/2" | 55.0 | 76.2 | 57.9 | 14.5 | 3.61 |
| 25 x 3/4" | 55.0 | 78.2 | 57.9 | 14.5 | 3.61 |
| 25 x 1" | 55.0 | 80.3 | 57.9 | 16.4 | 3.61 |
| 32 x 3/4" | 67.0 | 88.5 | 66.0 | 14.5 | 4.61 |
| 32 x 1" | 67.0 | 90.7 | 66.0 | 16.4 | 4.61 |
| 32 x 1 1/4" | 67.0 | 92.4 | 66.0 | 18.4 | 5.08 |
| 32 x 1 1/2" | 67.0 | 97.0 | 67.5 | 26.7 | 5.39 |
| 40 x 1" | 82.0 | 102.8 | 78.3 | 16.4 | 8.50 |
| 40 x 1 1/4" | 82.0 | 104.5 | 78.3 | 18.4 | 8.50 |
| 40 x 1 1/2" | 82.0 | 109.0 | 81.0 | 26.7 | 8.50 |
| 40 x 2" | 82.0 | 109.0 | 81.0 | 31.0 | 8.50 |
| 50 x 1 1/4" | 94.0 | 114.2 | 87.2 | 18.4 | 10.95 |
| 50 x 1 1/2" | 94.0 | 115.0 | 87.2 | 19.0 | 10.95 |
| 50 x 2" | 94.0 | 119.0 | 87.2 | 31.0 | 10.95 |
| 63 x 1 1/2" | 109.0 | 132.0 | 98.5 | 26.7 | 15.87 |
| 63 x 2" | 109.0 | 132.0 | 97.0 | 22.9 | 15.87 |
| *75 x 2" | 135.0 | 187.0 | 147.0 | 32.0 | 30.06 |
| *75 x 2 1/2" | 135.0 | 188.5 | 147.0 | 33.5 | 30.06 |
| *75 x 3" | 135.0 | 191.0 | 147.0 | 21.5 | 30.06 |
| *90 x 2" | 158.0 | 217.0 | 177.0 | 31.0 | 42.42 |
| *90 x 2 1/2" | 158.0 | 220.0 | 177.0 | 33.5 | 42.42 |
| *90 x 3" | 158.0 | 222.5 | 177.0 | 36.5 | 42.42 |
| *90 x 4" | 158.0 | 228.0 | 177.0 | 43.0 | 42.42 |
| *110 x 2" | 191.0 | 252.0 | 210.0 | 31.0 | 74.27 |
| *110 x 3" | 191.0 | 259.0 | 210.0 | 36.5 | 74.27 |
| *110 x 4" | 191.0 | 264.5 | 210.0 | 43.0 | 74.27 |

* zijn niet conform met de tekening.
* ne sont pas conformes au dessin.
* are not compliant with the drawing.



snelkoppelingen voor PE leidingen
raccords rapides pour conduites en PE
quick joints for PE piping system

PP / MAGNUM 3G

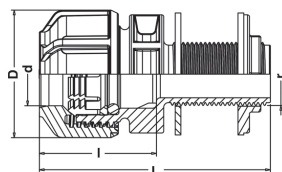


3G ZASP

TANKAANSLUITING MAGNUM 3G
RACCORDS DE RESERVOIR MAGNUM 3G
TANK CONNECTOR MAGNUM 3G

PN 16 - 20°C

| d x R | D | L | I | €/ST/PC |
|-----------|----|-----|----|---------|
| 25 x 3/4" | 55 | 109 | 53 | 9.70 |
| 32 x 1" | 67 | 117 | 60 | 11.14 |



3G ZFP

OVERGANGSKOPPELINGEN BINNENDRAAD MAGNUM 3G
RACCORDS D'ADAPTATION TARAUDÉ FEMELLE MAGNUM 3G
ADAPTOR FEMALE THREADED MAGNUM 3G

PN 16 - 20°C

| d x R | D | L | I | h | €/ST/PC |
|----------------|-------|-------|-------|------|---------|
| 16 x 1/2" | 39.5 | 62.0 | 38.0 | 22.8 | 3.24 |
| 20 x 1/2" | 46.5 | 67.0 | 47.3 | 17.7 | 3.42 |
| 20 x 3/4" | 46.5 | 67.0 | 47.3 | 17.7 | 3.42 |
| 20 x 1" | 46.5 | 73.0 | 44.0 | 27.4 | 3.42 |
| 25 x 1/2" | 55.0 | 72.0 | 50.5 | 17.7 | 3.61 |
| 25 x 3/4" | 55.0 | 72.5 | 52.8 | 17.7 | 3.61 |
| 25 x 1" | 55.0 | 80.0 | 52.5 | 20.7 | 3.90 |
| 32 x 3/4" | 67.0 | 88.0 | 63.0 | 17.5 | 3.90 |
| 32 x 1" | 67.0 | 88.0 | 64.3 | 20.4 | 3.90 |
| 40 x 1" | 82.0 | 102.0 | 73.5 | 20.6 | 8.68 |
| ** 40 x 1 1/4" | 82.0 | 100.0 | 73.5 | 23.2 | 8.68 |
| ** 40 x 1 1/2" | 82.0 | 101.0 | 71.0 | 30.2 | 8.68 |
| ** 50 x 1 1/4" | 94.0 | 111.0 | 77.5 | 23.0 | 11.66 |
| ** 50 x 1 1/2" | 94.0 | 111.0 | 77.5 | 23.0 | 11.66 |
| ** 50 x 2" | 94.0 | 107.0 | 83.0 | 34.5 | 11.66 |
| ** 63 x 2" | 109.0 | 131.5 | 93.8 | 27.4 | 16.45 |
| ** 75 x 2" | 135.0 | 186.5 | 147.0 | 32.5 | 34.48 |
| ** 75 x 2 1/2" | 135.0 | 187.0 | 147.0 | 32.5 | 34.48 |
| ** 90 x 2" | 158.0 | 217.5 | 177.0 | 32.5 | 51.11 |
| ** 90 x 3" | 158.0 | 222.0 | 177.0 | 36.5 | 51.11 |
| ** 90 x 4" | 158.0 | 236.0 | 177.0 | 43.5 | 51.11 |
| **110 x 3" | 191.0 | 256.0 | 210.0 | 35.5 | 79.88 |
| **110 x 4" | 191.0 | 263.5 | 210.0 | 43.5 | 79.88 |

D 75 - 110: zijn niet conform met de tekening.
D 75 - 110: ne sont pas conformes au dessin.
D 75 - 110: are not compliant with the drawing.

** ZFKP met versterkingsring in RVS
** ZFKP avec renforcement en acier inox.
** ZFKP with stainless steel reinforcing ring



snelkoppelingen voor PE leidingen
raccords rapides pour conduites en PE
quick joints for PE piping system

PP / MAGNUM 3G



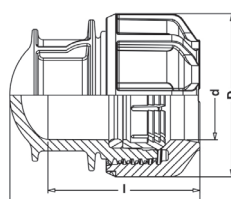
3G ZCP

EINDKAPPEN MAGNUM 3G
BOUCHONS MAGNUM 3G
END CAPS MAGNUM 3G

PN 16 - 20°C

| d | D | L | I | €/ST/PC |
|------|-------|-------|-----|---------|
| 16 | 39.5 | 50.0 | 40 | 2.98 |
| 20 | 46.5 | 58.4 | 50 | 3.24 |
| 25 | 55.0 | 70.2 | 60 | 4.03 |
| 32 | 67.0 | 80.0 | 70 | 5.00 |
| 40 | 82.0 | 95.0 | 83 | 8.38 |
| 50 | 94.0 | 108.0 | 89 | 12.26 |
| 63 | 109.0 | 127.0 | 102 | 16.74 |
| * 75 | 135.0 | 172.0 | 147 | 28.47 |
| * 90 | 158.0 | 207.0 | 177 | 42.42 |
| *110 | 191.0 | 246.0 | 210 | 77.28 |

* zijn niet conform met de tekening / ne sont pas conformes au dessin / are not compliant with the drawing.

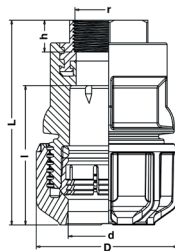


3G ZMPO

OVERGANGSKOPPELINGEN BUITENDRAAD MET MESSING INSERT
RACCORDS D'ADAPTATION TARAUDÉ MÂLE INSERT EN LAITON MAGNUM 3G
ADAPTORS MALE THREADED BRASS INSERT MAGNUM 3G MAGNUM 3G

PN 16 - 20°C

| d x R | D | L | I | h | €/ST/PC |
|-------------|-------|-------|-------|------|---------|
| 20 x 1/2" | 46.5 | 89.0 | 51.4 | 12.0 | 10.60 |
| 25 x 3/4" | 55.0 | 102.8 | 59.6 | 15.7 | 13.12 |
| 32 x 3/4" | 67.0 | 112.0 | 69.0 | 15.7 | 18.43 |
| 32 x 1" | 67.0 | 127.0 | 69.0 | 20.0 | 18.43 |
| 32 x 1 1/4" | 67.0 | 130.0 | 69.0 | 22.0 | 25.91 |
| 40 x 1" | 92.0 | 134.0 | 73.5 | 20.0 | 28.54 |
| 40 x 1 1/4" | 82.0 | 135.0 | 73.5 | 22.0 | 29.95 |
| 50 x 1 1/2" | 94.0 | 155.0 | 92.0 | 22.0 | 36.78 |
| 63 x 2" | 109.0 | 170.0 | 100.0 | 24.0 | 53.40 |

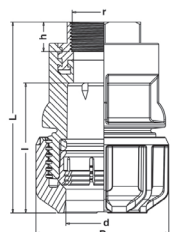


3G ZFPO

OVERGANGSKOPPELINGEN BINNENDRAAD MET MESSING INSERT
RACCORDS D'ADAPTATION TARAUDÉ FEMELLE INSERT EN LAITON
ADAPTORS FEMALE THREADED BRASS INSERT MAGNUM 3G

PN 16 - 20°C

| d x R | D | L | I | h | €/ST/PC |
|-------------|-------|-------|-------|----|---------|
| 20 x 1/2" | 46.5 | 75.6 | 51.4 | 17 | 11.14 |
| 25 x 3/4" | 55.0 | 85.8 | 59.6 | 17 | 13.42 |
| 32 x 1" | 67.0 | 108.0 | 69.0 | 24 | 18.95 |
| 40 x 1 1/4" | 82.0 | 116.0 | 73.5 | 25 | 29.11 |
| 50 x 1 1/2" | 94.0 | 135.0 | 92.0 | 25 | 38.92 |
| 63 x 2" | 109.0 | 151.0 | 100.0 | 25 | 54.72 |





snelkoppelingen voor PE leidingen
raccords rapides pour conduites en PE
quick joints for PE piping system

PP / MAGNUM 3G

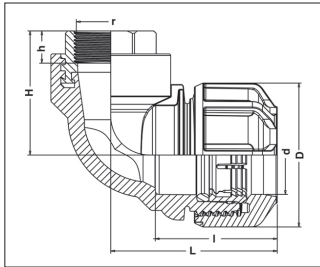


3G ZGFPO

KNIEEN 90° BINNENDRAAD MET MESSING INSERT MAGNUM 3G
COUDES 90° TAVAUDÉ FEMELLE INSERT EN LAITON MAGNUM 3G
90° ELBOWS FEMALE THREADED WITH BRASS INSERT MAGNUM 3G

PN 16 - 20°C

| d x R | D | L | I | H | h | €/ST/PC |
|--------------------|-------|-------|------|-------|----|---------------|
| 20 x 1/2" | 46.5 | 60.0 | 46.0 | 41.8 | 17 | 18.84 |
| 25 x 3/4" | 55.0 | 70.0 | 50.0 | 48.5 | 17 | 22.85 |
| 32 x 1" | 67.0 | 82.5 | 58.0 | 68.4 | 24 | 31.82 |
| 40 x 1 1/4" | 82.0 | 98.0 | 70.0 | 77.0 | 25 | 42.42 |
| 50 x 1 1/2" | 94.0 | 107.4 | 78.3 | 80.0 | 25 | 68.31 |
| 63 x 2" | 109.0 | 119.0 | 88.5 | 104.5 | 25 | 106.58 |

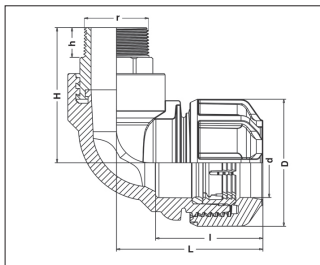


3G ZGMPO

KNIEEN 90° BUITENDRAAD MET MESSING INSERT MAGNUM 3G
COUDES 90° TAVAUDÉ MÂLE INSERT EN LAITON MAGNUM 3G
90° ELBOWS MALE THREADED WITH BRASS INSERT MAGNUM 3G

PN 16 - 20°C

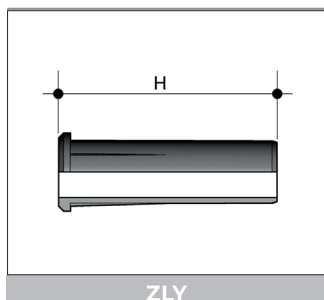
| d x R | D | L | I | H | h | €/ST/PC |
|--------------------|-------|-------|------|-------|------|---------------|
| 20 x 1/2" | 46.5 | 60.0 | 46.0 | 53.8 | 13.0 | 19.79 |
| 25 x 3/4" | 55.0 | 70.0 | 50.0 | 64.0 | 15.7 | 24.04 |
| 32 X 3/4" | 67.0 | 82.5 | 58.0 | 64.0 | 17.0 | 24.04 |
| 32 x 1" | 67.0 | 82.5 | 58.0 | 88.0 | 20.0 | 26.73 |
| 40 x 1 1/4" | 82.0 | 98.0 | 70.0 | 96.0 | 22.0 | 35.64 |
| 50 x 1 1/2" | 94.0 | 107.4 | 78.3 | 93.0 | 22.0 | 71.69 |
| 63 x 2" | 109.0 | 119.0 | 88.5 | 123.5 | 24.0 | 111.86 |





snelkoppelingen voor PE leidingen
raccords rapides pour conduites en PE
quick joints for PE piping system

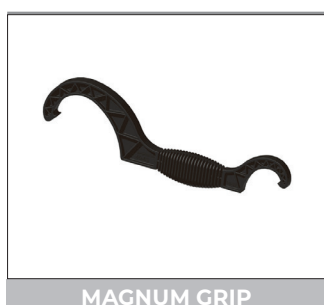
PP / MAGNUM 3G



VERSTEVIGINGSPLUG VOOR BUIZEN
BUSELURE DE RENFORCEMENT POUR TUYAUX
REINFORCING BUSH AND TIGHTENING KEYS FOR PIPES

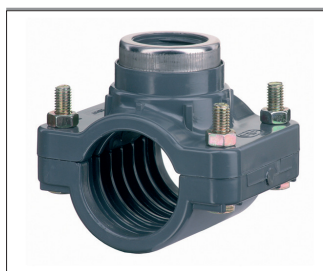
PE 80 - PE 100 SDR 11 E PE-X

| d | H | €/ST/PC |
|----|-------|---------|
| 20 | 67.0 | 0.89 |
| 25 | 75.0 | 1.23 |
| 32 | 82.5 | 1.84 |
| 40 | 98.0 | 3.38 |
| 50 | 99.0 | 3.38 |
| 63 | 108.5 | 3.91 |

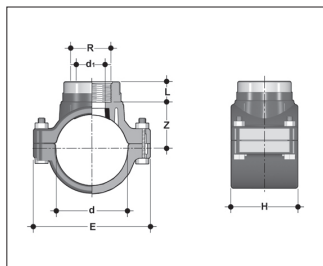


SLEUTEL VOOR MAGNUM 3G KOPPELINGEN
CLÉ POUR RACCORDS MAGNUM 3G
KEY FOR MAGNUM 3G COUPLINGS

| d | €/ST/PC |
|--------|---------|
| 16-32 | 68.96 |
| 40-63 | 84.16 |
| 75-110 | 160.16 |



UIFV


 AANBOORZADELS
 COLLIERS DE PRISE EN CHARGE
 CLAMP SADDLES

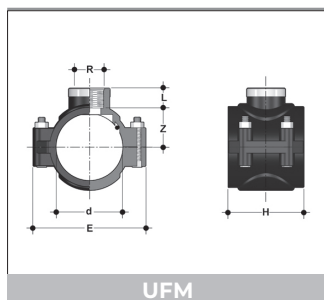
PN 16

Aftakking met cilindrische binnendraad en met roestvrij stalen ring versterkt, compleet geleverd met verzinkte stalen bouten en pakking in NBR.

Prise latérale femelle filetée et renforcée par une bague d'acier inoxydable, livrés avec boulons en acier zingué et joint NBR.

Branch with interior parallel thread, reinforced with a stainless steel ring, delivered with zinc plated steel bolts and NBR gasket.

| D x G | D1 | L | E | H | Z | G/ST/PC | €/ST/PC |
|--------------|------|----|-----|-----|-------|---------|---------|
| 32 x 1/2" | 18.0 | 18 | 82 | 68 | 28.0 | 228 | 19.27 |
| 32 x 3/4" | 22.0 | 19 | 82 | 68 | 28.0 | 242 | 19.27 |
| 40 x 3/4" | 22.0 | 19 | 94 | 78 | 33.0 | 339 | 23.10 |
| 40 x 1" | 25.0 | 22 | 94 | 78 | 33.0 | 348 | 23.10 |
| 50 x 1/2" | 18.0 | 18 | 104 | 80 | 38.0 | 328 | 28.07 |
| 50 x 3/4" | 22.0 | 19 | 104 | 80 | 38.0 | 342 | 28.07 |
| 50 x 1" | 28.0 | 22 | 104 | 80 | 38.0 | 379 | 28.07 |
| 63 x 1/2" | 17.5 | 18 | 116 | 105 | 47.5 | 562 | 30.00 |
| 63 x 3/4" | 22.0 | 19 | 116 | 105 | 47.5 | 571 | 30.00 |
| 63 x 1" | 28.0 | 22 | 116 | 105 | 47.5 | 582 | 30.00 |
| 63 x 1 1/2" | 30.0 | 25 | 116 | 105 | 47.5 | 615 | 30.00 |
| 75 x 3/4" | 22.0 | 19 | 134 | 105 | 53.5 | 683 | 34.50 |
| 75 x 1" | 29.5 | 22 | 134 | 105 | 53.5 | 692 | 34.50 |
| 75 x 1 1/2" | 31.0 | 25 | 134 | 105 | 53.5 | 725 | 34.50 |
| 75 x 2" | 31.0 | 30 | 134 | 105 | 53.5 | 780 | 34.50 |
| 90 x 3/4" | 22.0 | 19 | 152 | 105 | 61.0 | 764 | 45.40 |
| 90 x 1" | 28.0 | 22 | 152 | 105 | 61.0 | 778 | 45.40 |
| 90 x 1 1/2" | 40.0 | 25 | 152 | 105 | 61.0 | 805 | 45.40 |
| 90 x 2" | 40.0 | 30 | 152 | 105 | 61.0 | 877 | 45.40 |
| 110 x 3/4" | 22.0 | 19 | 176 | 105 | 72.0 | 982 | 52.17 |
| 110 x 1" | 28.0 | 22 | 176 | 105 | 72.0 | 993 | 52.17 |
| 110 x 1 1/2" | 40.0 | 25 | 176 | 105 | 72.0 | 1017 | 52.17 |
| 110 x 2" | 40.0 | 30 | 176 | 105 | 72.0 | 1081 | 52.17 |
| 125 x 1" | 25.0 | 22 | 190 | 112 | 79.5 | 1260 | 61.83 |
| 125 x 1 1/2" | 40.0 | 25 | 190 | 112 | 79.5 | 1319 | 61.83 |
| 125 x 2" | 50.0 | 30 | 190 | 112 | 79.5 | 1412 | 61.83 |
| 140 x 1" | 25.0 | 22 | 214 | 114 | 87.0 | 1471 | 76.63 |
| 140 x 1 1/2" | 40.0 | 25 | 214 | 114 | 87.0 | 1526 | 76.63 |
| 140 x 2" | 50.0 | 30 | 214 | 114 | 87.0 | 1607 | 76.63 |
| 160 x 1" | 28.0 | 22 | 238 | 120 | 98.0 | 1453 | 93.37 |
| 160 x 1 1/2" | 40.0 | 25 | 238 | 120 | 98.0 | 1481 | 93.37 |
| 160 x 2" | 50.0 | 30 | 238 | 120 | 98.0 | 1523 | 93.37 |
| 200 x 1 1/2" | 40.0 | 25 | 300 | 133 | 118.0 | 2066 | 141.67 |
| 200 x 2" | 52.0 | 30 | 300 | 133 | 118.0 | 2119 | 141.67 |
| 200 x 3" | 52.0 | 36 | 300 | 133 | 118.0 | 2154 | 141.67 |
| 225 x 1 1/2" | 40.0 | 25 | 333 | 125 | 132.0 | 2610 | 175.00 |
| 225 x 2" | 50.0 | 30 | 333 | 125 | 132.0 | 2650 | 175.00 |
| 225 x 3" | 74.0 | 36 | 333 | 125 | 132.0 | 2735 | 175.00 |



UFM

 AANBOORZADELS
 COLLIERS DE PRISE EN CHARGE
 CLAMP SADDLES

Enkele aftakking met cilindrische binnendraad. Alle aftakkingen zijn versterkt met een metalen ring. Compleet geleverd met bouten in verzinkt staal. Afdichtingsring in NBR. Ook leverbaar met bouten in roestvrij staal.

Dérivation simple à filetage femelle cylindrique. Bague métallique de renforcement sur toutes les dérivation. Livrés avec boulons en acier zingué. Joint en NBR. Livrable en option avec boulons en acier inoxydable.

Single branch connections with interior, parallel thread. Metal reinforcing ring on every threaded branch. Gasket made of NBR. Also available with stainless steel bolts.

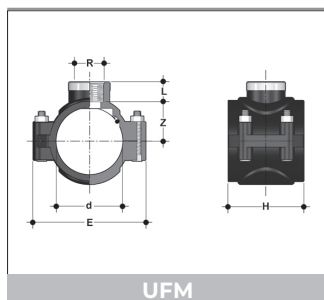
| D x R | PN | L | Z | E | H | b | G/ST/PC | €/ST/PC |
|--------------|----|------|------|-----|------|-----------|---------|---------|
| 20 x 1/2" | 10 | 17.0 | 16.0 | 62 | 37.5 | 2 M6 x 35 | 60 | 4.10 |
| 25 x 1/2" | 10 | 18.5 | 18.5 | 69 | 43.0 | 2 M6 x 35 | 70 | 4.10 |
| 25 x 3/4" | 10 | 18.5 | 18.5 | 69 | 43.0 | 2 M6 x 35 | 75 | 4.10 |
| 32 x 1/2" | 10 | 18.5 | 22.5 | 78 | 45.0 | 2 M8 x 45 | 99 | 4.43 |
| 32 x 3/4" | 10 | 18.5 | 22.5 | 78 | 45.0 | 2 M8 x 45 | 103 | 4.43 |
| 32 x 1" | 10 | 18.5 | 22.5 | 91 | 60.0 | 2 M8 x 45 | 130 | 4.43 |
| 40 x 1/2" | 10 | 22.0 | 27.0 | 84 | 51.0 | 2 M8 x 45 | 119 | 5.23 |
| 40 x 3/4" | 10 | 22.0 | 27.0 | 84 | 51.0 | 2 M8 x 45 | 125 | 5.23 |
| 40 x 1" | 10 | 22.0 | 27.0 | 84 | 51.0 | 2 M8 x 45 | 136 | 5.23 |
| 50 x 1/2" | 10 | 22.0 | 32.5 | 87 | 53.0 | 2 M8 x 45 | 119 | 5.93 |
| 50 x 3/4" | 10 | 22.0 | 32.5 | 87 | 53.0 | 2 M8 x 45 | 123 | 5.93 |
| 50 x 1" | 10 | 22.0 | 32.5 | 87 | 53.0 | 2 M8 x 45 | 132 | 5.93 |
| 63 x 1/2" | 10 | 17.0 | 40.0 | 100 | 71.0 | 4 M8 x 50 | 227 | 8.73 |
| 63 x 3/4" | 10 | 20.0 | 40.0 | 100 | 71.0 | 4 M8 x 50 | 229 | 8.73 |
| 63 x 1" | 10 | 22.0 | 40.0 | 100 | 71.0 | 4 M8 x 50 | 238 | 8.73 |
| 63 x 1 1/4" | 10 | 24.0 | 40.0 | 100 | 71.0 | 4 M8 x 50 | 246 | 8.73 |
| 63 x 1 1/2" | 10 | 24.0 | 40.0 | 100 | 71.0 | 4 M8 x 50 | 253 | 8.73 |
| 75 x 1/2" | 10 | 17.0 | 44.5 | 120 | 91.0 | 4 M8 x 50 | 312 | 11.10 |
| 75 x 3/4" | 10 | 20.0 | 44.5 | 120 | 91.0 | 4 M8 x 50 | 304 | 11.10 |
| 75 x 1" | 10 | 22.0 | 44.5 | 120 | 91.0 | 4 M8 x 50 | 311 | 11.10 |
| 75 x 1 1/4" | 10 | 24.0 | 44.5 | 120 | 91.0 | 4 M8 x 50 | 319 | 11.10 |
| 75 x 1 1/2" | 10 | 24.0 | 44.5 | 120 | 91.0 | 4 M8 x 50 | 323 | 11.10 |
| 75 x 2" | 10 | 26.0 | 44.5 | 120 | 91.0 | 4 M8 x 50 | 337 | 11.10 |
| 90 x 1/2" | 10 | 17.0 | 52.0 | 137 | 91.0 | 4 M8 x 60 | 324 | 12.63 |
| 90 x 3/4" | 10 | 20.0 | 52.0 | 137 | 91.0 | 4 M8 x 60 | 336 | 12.63 |
| 90 x 1" | 10 | 22.0 | 52.0 | 137 | 91.0 | 4 M8 x 60 | 345 | 12.63 |
| 90 x 1 1/4" | 10 | 24.0 | 52.0 | 137 | 91.0 | 4 M8 x 60 | 352 | 12.63 |
| 90 x 1 1/2" | 10 | 24.0 | 52.0 | 137 | 91.0 | 4 M8 x 60 | 360 | 12.63 |
| 90 x 2" | 10 | 26.0 | 52.0 | 137 | 91.0 | 4 M8 x 60 | 368 | 12.63 |
| 110 x 1/2" | 10 | 17.0 | 65.0 | 155 | 98.5 | 4 M8 x 60 | 377 | 14.33 |
| 110 x 3/4" | 10 | 20.0 | 65.0 | 155 | 98.5 | 4 M8 x 60 | 379 | 14.33 |
| 110 x 1" | 10 | 22.0 | 65.0 | 155 | 98.5 | 4 M8 x 60 | 386 | 14.33 |
| 110 x 1 1/4" | 10 | 24.0 | 65.0 | 155 | 98.5 | 4 M8 x 60 | 390 | 14.33 |
| 110 x 1 1/2" | 10 | 24.0 | 65.0 | 155 | 98.5 | 4 M8 x 60 | 399 | 14.33 |
| 110 x 2" | 10 | 24.0 | 65.0 | 155 | 98.5 | 4 M8 x 60 | 411 | 14.33 |
| 110 x 3" | 6 | 33.0 | 65.0 | 155 | 98.5 | 4 M8 x 60 | 545 | 14.33 |

vervolg op volgende pagina
 suite à la page suivante
 continued on next page



aanboorzadels
colliers de prise en charge
clamps saddles

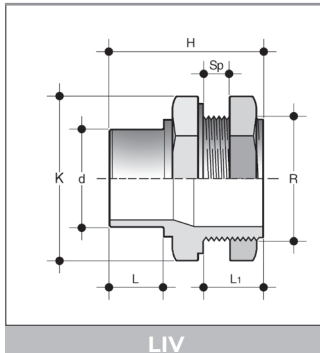
PP



AANBOORZADELS
COLLIERS DE PRISE EN CHARGE
CLAMP SADDLES

Vervolg / suite / continued

| D x R | PN | L | Z | E | H | b | G/ST/PC | €/ST/PC |
|--------------|----|------|-------|-----|-------|------------|---------|---------|
| 125 x 3/4" | 10 | 20.0 | 73.5 | 168 | 101.0 | 4 M8 x 50 | 510 | 20.73 |
| 125 x 1" | 10 | 22.0 | 73.5 | 168 | 101.0 | 4 M8 x 50 | 513 | 20.73 |
| 125 x 1 1/4" | 10 | 24.0 | 73.5 | 168 | 101.0 | 4 M8 x 50 | 520 | 20.73 |
| 125 x 1 1/2" | 10 | 24.0 | 73.5 | 168 | 101 | 4 M8 x 50 | 529 | 20.73 |
| 125 x 2" | 10 | 24.0 | 73.5 | 168 | 101 | 4 M8 x 50 | 545 | 20.73 |
| 140 x 1" | 10 | 22.0 | 80.0 | 189 | 134 | 6 M8 x 60 | 928 | 33.10 |
| 140 x 1 1/4" | 10 | 24.0 | 80.0 | 189 | 134 | 6 M8 x 60 | 932 | 33.10 |
| 140 x 1 1/2" | 10 | 24.0 | 80.0 | 189 | 134 | 6 M8 x 60 | 935 | 33.10 |
| 140 x 2" | 10 | 24.0 | 80.0 | 189 | 134 | 6 M8 x 60 | 945 | 33.10 |
| 140 x 2 1/2" | 6 | 24.0 | 80.0 | 189 | 134 | 6 M8 x 60 | 960 | 33.10 |
| 140 x 3" | 6 | 33.0 | 80.0 | 189 | 134 | 6 M8 x 60 | 1010 | 33.10 |
| 160 x 3/4" | 10 | 22.0 | 88.0 | 213 | 137 | 6 M8 x 60 | 1002 | 43.47 |
| 160 x 1" | 10 | 22.0 | 88.0 | 213 | 137 | 6 M8 x 60 | 1005 | 43.47 |
| 160 x 1 1/4" | 10 | 24.0 | 88.0 | 213 | 137 | 6 M8 x 60 | 1030 | 43.47 |
| 160 x 1 1/2" | 10 | 24.0 | 88.0 | 213 | 137 | 6 M8 x 60 | 1043 | 43.47 |
| 160 x 2" | 10 | 28.5 | 88.0 | 213 | 137 | 6 M8 x 60 | 1065 | 43.47 |
| 160 x 3" | 6 | 36.0 | 88.0 | 213 | 137 | 6 M8 x 60 | 1150 | 43.47 |
| 180 x 1 1/4" | 6 | 24.0 | 115.0 | 265 | 171 | 6 M10 x 80 | 2310 | 180.07 |
| 180 x 1 1/2" | 6 | 24.0 | 115.0 | 265 | 171 | 6 M10 x 80 | 2330 | 180.07 |
| 180 x 2" | 6 | 24.0 | 115.0 | 265 | 171 | 6 M10 x 80 | 2390 | 180.07 |
| 180 x 3" | 6 | 33.0 | 115.0 | 265 | 171 | 6 M10 x 80 | 2470 | 180.07 |
| 180 x 4" | 6 | 42.0 | 115.0 | 265 | 171 | 6 M10 x 80 | 2590 | 180.07 |
| 200 x 1 1/4" | 6 | 24.0 | 115.0 | 265 | 171 | 6 M10 x 80 | 1970 | 158.47 |
| 200 x 1 1/2" | 6 | 24.0 | 115.0 | 265 | 171 | 6 M10 x 80 | 1885 | 158.47 |
| 200 x 2" | 6 | 24.0 | 115.0 | 265 | 171 | 6 M10 x 80 | 1910 | 158.47 |
| 200 x 3" | 6 | 33.0 | 115.0 | 265 | 171 | 6 M10 x 80 | 2010 | 158.47 |
| 200 x 4" | 6 | 42.0 | 115.0 | 265 | 171 | 6 M10 x 80 | 2130 | 158.47 |
| 225 x 1 1/4" | 4 | 24.0 | 127.5 | 280 | 173 | 6 M10 x 80 | 2060 | 189.53 |
| 225 x 1 1/2" | 4 | 24.0 | 127.5 | 280 | 173 | 6 M10 x 80 | 2080 | 189.53 |
| 225 x 2" | 4 | 24.0 | 127.5 | 280 | 173 | 6 M10 x 80 | 2105 | 189.53 |
| 225 x 3" | 4 | 33.0 | 127.5 | 280 | 173 | 6 M10 x 80 | 2230 | 194.97 |
| 225 x 4" | 4 | 42.0 | 127.5 | 280 | 173 | 6 M10 x 80 | 2350 | 194.97 |
| 250 x 1 1/4" | 4 | 24.0 | 142.0 | 313 | 181 | 6 M10 x 80 | 2530 | 220.67 |
| 250 x 1 1/2" | 4 | 24.0 | 142.0 | 313 | 181 | 6 M10 x 80 | 2550 | 220.67 |
| 250 x 2" | 4 | 24.0 | 142.0 | 313 | 181 | 6 M10 x 80 | 2580 | 220.67 |
| 250 x 3" | 4 | 33.0 | 142.0 | 313 | 181 | 6 M10 x 80 | 2670 | 226.17 |
| 250 x 4" | 4 | 42.0 | 142.0 | 313 | 181 | 6 M10 x 80 | 2790 | 226.17 |
| 280 x 1 1/4" | 4 | 24.0 | 171.0 | 385 | 190 | 6 M10 x 80 | 4000 | 307.37 |
| 280 x 1 1/2" | 4 | 24.0 | 171.0 | 385 | 190 | 6 M10 x 80 | 4020 | 307.37 |
| 280 x 2" | 4 | 24.0 | 171.0 | 385 | 190 | 6 M10 x 80 | 4050 | 307.37 |
| 280 x 3" | 4 | 33.0 | 171.0 | 385 | 190 | 6 M10 x 80 | 4130 | 307.37 |
| 280 x 4" | 4 | 42.0 | 171.0 | 385 | 190 | 6 M10 x 80 | 4250 | 307.37 |
| 315 x 1 1/4" | 4 | 24.0 | 171.0 | 385 | 190 | 6 M10 x 80 | 3055 | 277.57 |
| 315 x 1 1/2" | 4 | 24.0 | 171.0 | 385 | 190 | 6 M10 x 80 | 3070 | 277.57 |
| 315 x 2" | 4 | 24.0 | 171.0 | 385 | 190 | 6 M10 x 80 | 3100 | 277.57 |
| 315 x 3" | 4 | 33.0 | 171.0 | 385 | 190 | 6 M10 x 80 | 3220 | 277.57 |
| 315 x 4" | 4 | 42.0 | 171.0 | 385 | 190 | 6 M10 x 80 | 3350 | 277.57 |



TANKAANSLUITINGEN TYPE A
RACCORDS DE RESERVOIR TYPE A
TANK CONNECTORS TYPE A

Eén zijde uitwendige lijmmof, andere zijde cilindrische buitendraad met wartelmoer.
Afdichting : vlakke EPDM. FPM dichtingen : zie Toebehoren.

Un côté mâle à coller, l'autre côté mâle à filetage cylindrique avec écrou.
Etanchéité : joint plat EPDM. Joints en FPM : voir chapitre Accessoires.

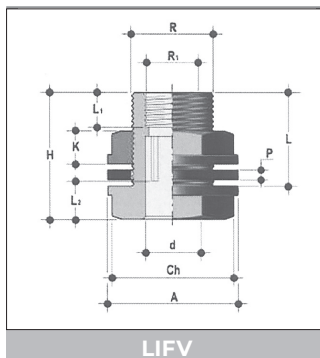
One end spigot for solvent welding, other end male parallel threaded with union nut.
Sealing : flat EPDM ring. FPM gasket : see chapter Accessories.

| d | R | L | L ₁ | H | Sp | K | €/ST/PC |
|----|--------|----|----------------|----|----|----|---------|
| 25 | 1" | 19 | 26 | 60 | 17 | 46 | 9.54 |
| 32 | 1 1/4" | 22 | 28 | 66 | 19 | 55 | 11.88 |

Sp : max. wanddikte.

Sp : épaisseur max. de la paroi du réservoir.

Sp : max wall thickness of thank.



TANKAANSLUITINGEN
RACCORDS DE RESERVOIR
TANK CONNECTORS

Eén zijde inwendige lijmmof, andere zijde cilindrische binnendraad en buitendraad, met wartelmoer. Afdichting: vlakke EPDM of FPM dichting.

Un côté femelle à coller, l'autre côté à filetage cylindrique femelle et male, avec écrou.
Etanchéité: joint plat EPDM ou FPM.

One female end for solvent welding, other end parallel threaded female and male, with union nut. Sealing: flat ring EPDM or FPM.

PN 16

| D | R | R1 | d | A | Ch | L | L1 | L2 | H | P | K | g | €/STPC | |
|----|--------|--------|----|----|----|----|------|----|------|---|------|-----|--------|-------|
| | | | | | | | | | | | | | EPDM | FPM |
| 16 | 3/4" | 1/2" | 16 | 44 | 33 | 47 | 15.0 | 14 | 60.5 | 3 | 13.5 | 53 | 14.69 | 18.39 |
| 20 | 1" | 3/4" | 20 | 58 | 46 | 49 | 16.3 | 16 | 65.0 | 3 | 16.0 | 108 | 18.33 | 23.11 |
| 25 | 1 1/4" | 1" | 25 | 62 | 50 | 52 | 19.1 | 19 | 70.0 | 3 | 18.0 | 142 | 20.98 | 26.23 |
| 32 | 1 1/2" | 1" | 32 | 76 | 60 | 54 | 19.1 | 22 | 73.0 | 3 | 19.0 | 192 | 26.06 | 35.33 |
| 40 | 2" | 1 1/2" | 40 | 92 | 79 | 60 | 21.4 | 26 | 81.0 | 3 | 20.8 | 337 | 37.73 | 48.24 |

tankaansluitingen
raccords de reservoir
tank connectors **PVC**

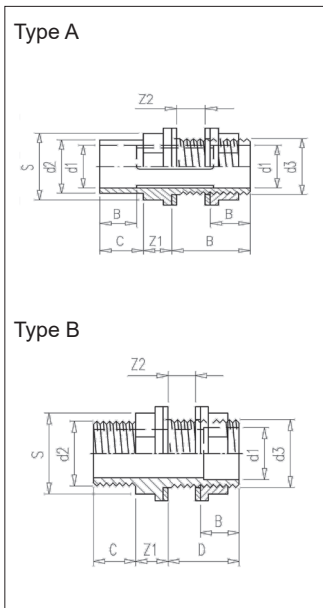


TANKAANSLUITINGEN
RACCORDS DE RESERVOIR
TANK CONNECTORS

Grote diameters, lijm/draad aansluiting.
Afdichting: vlakke EPDM dichting.

Grand diamètres, connection à colle/filleter.
Etanchéité: joint plat EPDM.

Big diameters, solvent/threaded.
Sealing: flat ring EPDM.



Type A

| d1 | d2 | d3 | Z1 | Z2 | B | C | D | S | €/ST/PC |
|-----|-----|-------|----|------|----|----|----|-----|---------|
| 50 | 63 | 2 | 21 | 0-21 | 31 | 38 | 52 | 69 | 30.57 |
| 50 | 63 | 2 1/4 | 21 | 0-21 | 31 | 38 | 52 | 76 | 30.57 |
| 63 | 75 | 2 1/2 | 23 | 0-23 | 38 | 44 | 53 | 85 | 60.27 |
| 75 | 90 | 3 | 26 | 0-20 | 44 | 51 | 56 | 100 | 72.03 |
| 90 | 110 | M113 | 32 | 0-20 | 51 | 61 | 62 | 125 | 99.00 |
| 110 | 125 | M113 | 36 | 0-22 | 61 | 69 | 66 | 147 | 120.57 |

Type B

| d1 | d2 | d3 | Z1 | Z2 | B | C | D | S | €/ST/PC |
|----|--------|-------|----|------|----|----|----|-----|---------|
| 50 | 2" | 2 | 21 | 0-21 | 31 | 27 | 52 | 69 | 30.57 |
| 50 | 2" | 2 1/4 | 21 | 0-21 | 31 | 27 | 52 | 76 | 30.57 |
| 63 | 1 1/2" | 2 1/2 | 23 | 0-23 | 38 | 31 | 53 | 85 | 60.27 |
| 75 | 3" | 3 | 26 | 0-20 | 44 | 34 | 56 | 100 | 72.03 |
| 90 | 4" | M113 | 32 | 0-20 | 51 | 40 | 62 | 125 | 99.00 |

STUBBE

tankaansluitingen
raccords de reservoir
tank connectors

PVC / PP

TANKAANSLUITINGEN
RACCORDS DE RESERVOIR
TANK CONNECTORS

Eén zijde uitwendige lijm/lasmof, andere zijde cilindrische binnen- en buitendraad met wartelmoer.

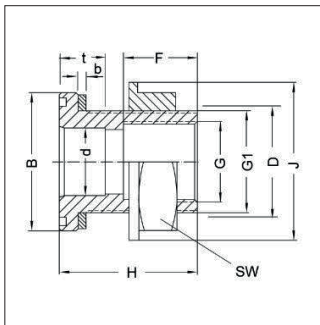
Afdichting : vlakke EPDM. FPM dichtingen : zie Toebehoren.

Un côté mâle à coller/souder, l'autre côté mâle à filetage cylindrique femelle et male avec écrou.

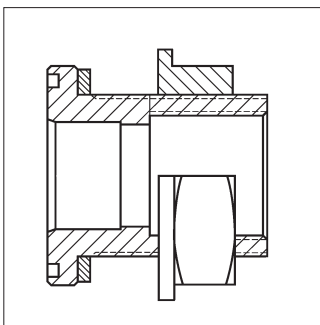
Etanchéité : joint plat EPDM. Joints en FPM : voir chapitre Accessoires.

One female end spigot for solvent welding, other end female and male parallel threaded with union nut.

Sealing : flat EPDM ring. FPM gasket : see chapter Accessories.



| d | G | G1 | B | F | H | J | SW | t | |
|----|--------|--------|-----|----|----|-----|-----|------|------|
| | | | | | | | | PP | PVC |
| 16 | 3/8" | 3/4" | 36 | 13 | 40 | 36 | 32 | 13.0 | 14.0 |
| 20 | 1/2" | 1" | 50 | 17 | 45 | 50 | 41 | 14.5 | 16.0 |
| 20 | 3/4" | 1" | 50 | 18 | 45 | 50 | 41 | - | 16.0 |
| 25 | 3/4" | 1" | 50 | 18 | 45 | 50 | 41 | 16.0 | - |
| 25 | 1" | 1 1/4" | 60 | 21 | 60 | 60 | 55 | - | 19.0 |
| 32 | 1" | 1 1/4" | 60 | 21 | 60 | 60 | 55 | 18.0 | - |
| 40 | 1 1/2" | 2" | 80 | 23 | 74 | 93 | 80 | 27.5 | 25.0 |
| 63 | 2" | 2 3/4" | 110 | 27 | 80 | 110 | 100 | 31.0 | 37.5 |



| d | G | G1 | €/ST/PC PVC | | €/ST/PC PP | |
|----|--------|--------|----------------|-------|---------------|-------|
| | | | EPDM | FPM | EPDM | FPM |
| 16 | 3/8" | 3/4" | 22.59 | 32.65 | 27.11 | 39.41 |
| 20 | 1/2" | 1" | 23.69 | 33.10 | 28.84 | 40.07 |
| 20 | 3/4" | 1" | 23.69 | 33.10 | - | - |
| 25 | 3/4" | 1" | - | - | 28.84 | 40.07 |
| 25 | 1" | 1 1/4" | 25.27 | 36.64 | - | - |
| 32 | 1" | 1 1/4" | - | - | 30.83 | 44.60 |
| 40 | 1 1/2" | 2" | 29.08 | 44.30 | 35.05 | 53.84 |
| 63 | 2" | 2 3/4" | 40.07 | 70.88 | 48.68 | 85.83 |



EPDM

TANKAANSLUITINGEN
RACCORDS DE RESERVOIR
TANK CONNECTORS

Snelkoppeling voor tanks in PE en staal , te bevestigen vanaf buitenzijde tank. Dichting in EPDM of FPM.

Raccord rapide à embrayage pour cuves PE et acier , à introduire de l'extérieur du reservoir. Joint en EPDM ou FPM.

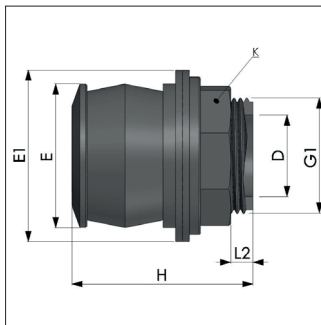
Quick coupling fitting for tanks in PE and steel , to be inserted from outside the tank. Gasket in EPDM or FPM.



FPM

PN4

| G1 | E | E1 | D | H | L2 | K | €/ST/PC | |
|--------|----|----|------|----|----|----|---------|-------|
| | | | | | | | EPDM | FPM |
| 1/2" | 29 | 37 | 13.0 | 49 | 5 | 28 | 14.57 | 26.41 |
| 3/4" | 35 | 43 | 18.0 | 52 | 4 | 32 | 15.16 | 27.42 |
| 1" | 43 | 53 | 24.0 | 56 | 7 | 41 | 15.69 | 30.42 |
| 1 1/4" | 52 | 62 | 29.5 | 65 | 6 | 50 | 21.29 | 39.58 |
| 1 1/2" | 59 | 68 | 34.5 | 75 | 16 | 57 | 24.09 | 41.89 |
| 2" | 70 | 88 | 45.5 | 91 | 31 | 70 | 27.31 | 46.22 |



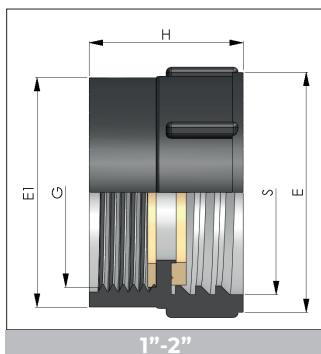
IBC

IBC FITTING
RACCORD IBC
IPC ADAPTOR

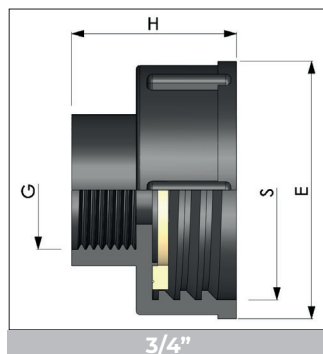
Overgangsfitting voor IBC container , connectie DIN513 S60x6 naar binnendraad UNI ISO 228/1. Dichting EPDM.

Raccord de passage pour reservoir IBC , connection DIN513 S60x6 à filetage femelle UNI ISO 228/1. Joint EPDM

Adaptor fittings for IBC containers , connection DIN513 S60x6 to female thread UNI ISO 228/1. EPDM gasket.



1"-2"



3/4"

| G | H | E | S | T | €/ST/PC |
|------|----|----|-------|-----|---------|
| 3/4" | 44 | 72 | S60x6 | 4.5 | 11.51 |
| 1" | 46 | 72 | S60x6 | 4.5 | 12.85 |
| 2" | 48 | 72 | S60x6 | 4.5 | 15.18 |

